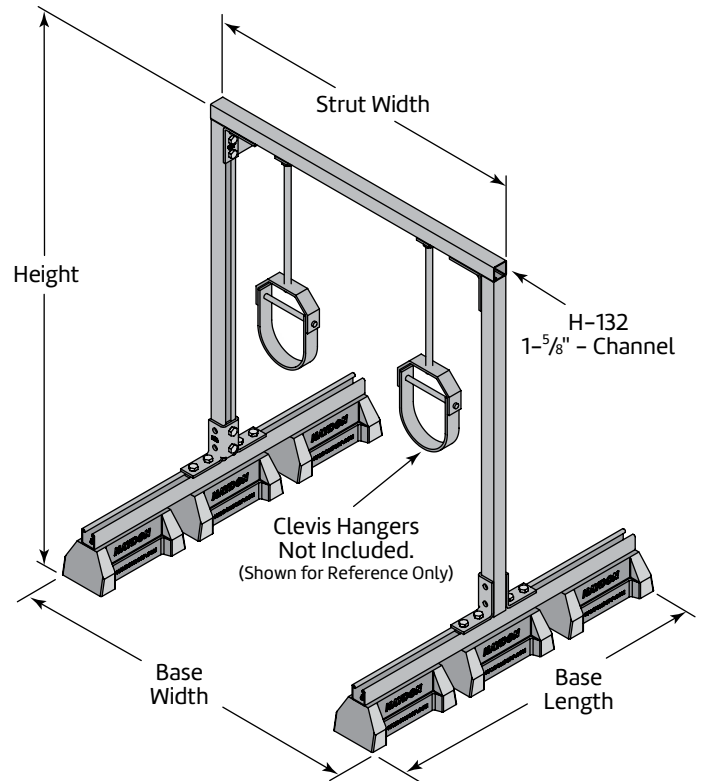


Light Duty Pipe Hanger Support Series with H-132 PG Top Support HBS-PH 48" Light Duty Pipe Hanger Support, PG, HG



The HBS-PH Series is designed specifically for supporting piping.

Specifications: Fixed Width & Height.

All hardware required for assembly is included.

Base Material: 100% recycled rubber, UV resistant

Crossbeams: 1⁵/₈" H-132 Channel

HBS-PH 48" Light Duty Pipe Hanger Support Series with H-132 PG Top Support

Model No.	Height	Strut Width	Base Width	Base Length	No. of Bases	Weight (Lbs)	Uniform Load Capacity (Lbs)*
HBS-PH-48-36-H-132-PG		36" (914 mm)	39 ³ / ₈ " (1000 mm)			66	1,145*
HBS-PH-48-48-H-132-PG	48"	48" (1219 mm)	51 ³ / ₈ " (1305 mm)	36"	6	68	855*
HBS-PH-48-60-H-132-PG	(1219 mm)	60" (1524 mm)	63 ³ / ₈ " (1610 mm)	(914 mm)		70	680*
HBS-PH-48-72-H-132-PG		72" (1829 mm)	75 ³ / ₈ " (1915 mm)			72	565*

*This load is only for the capacity of the components in this assembly with the pipe hangers located at a distance 1/4 from each end of the top channel. For pipe hangers located 1/3 from each end, multiply uniform load by .75. For any other loading scenario, please consult the appropriate engineer. Please consult Roofing manufacturer or engineer for roof load capacity.
Torque Setting - All load capacities stated herein are based on the use of 1/2" channel nuts tightened to 50 ft-lbs.

LEGEND:

PG: Pre-Galvanized **HG:** Hot Dipped Galvanized

Pricing is located in the ASC Engineered Solutions™ H-Block price book.

PROJECT INFORMATION	APPROVAL STAMP
Project:	Approved
Address:	Approved as noted
Contractor:	Not approved
Engineer:	Remarks:
Submittal Date:	
Notes 1:	
Notes 2:	