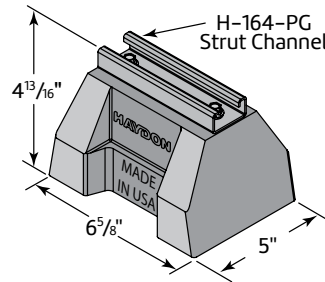
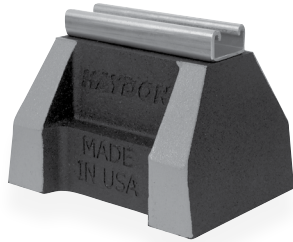


HBM-Support with Steel Channel HBM Series, PG



A cost-effective method for mounting and supporting single pipe applications without losing strength and integrity.

Specifications:

HBM Series

H-Block Mini Support with:

¹³/₁₆" H-164 Channel, or ¹/₈" H-132 Channel

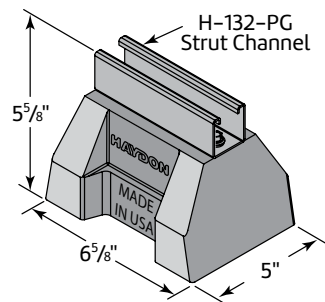
Material:

100% recycled rubber, UV resistant

HBM-Support with ¹³/₁₆" H-164 Pre-Galv Steel Channel

Model No.	Height	Width	Base Length	Weight (Lbs)	Uniform Load Capacity (Lbs)*
HBM-5-H-164-PG	4 ¹³ / ₁₆ " (122 mm)	5" (127 mm)	6 ⁵ / ₈ " (168 mm)	2.90	400*

*This load is only for the capacity of the components in this assembly. Please consult roofing manufacturer or engineer for roof load capacity.



HBM-Support with ¹/₈" H-132 Pre-Galv Steel Channel

Model No.	Height	Width	Base Length	Weight (Lbs)	Uniform Load Capacity (Lbs)*
HBM-5-H-132-PG	5 ⁵ / ₈ " (147mm)	5" (127 mm)	6 ⁵ / ₈ " (168 mm)	3.40	400*

*This load is only for the capacity of the components in this assembly. Please consult roofing manufacturer or engineer for roof load capacity.

LEGEND:

PG: Pre-Galvanized **HG:** Hot Dipped Galvanized

Pricing is located in the ASC Engineered Solutions™ H-Block price book.

PROJECT INFORMATION	APPROVAL STAMP
Project:	Approved
Address:	Approved as noted
Contractor:	Not approved
Engineer:	Remarks:
Submittal Date:	
Notes 1:	
Notes 2:	