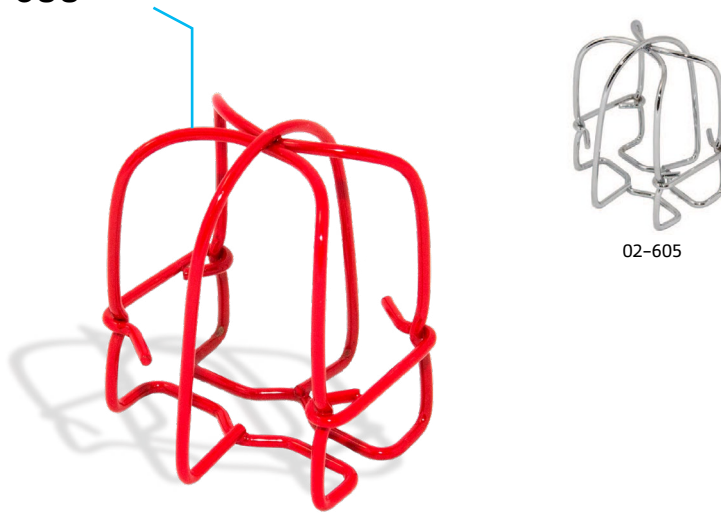


1-pc Sprinkler Head Guards – 1-pc 2-hk Fig. 02-600



Specifications

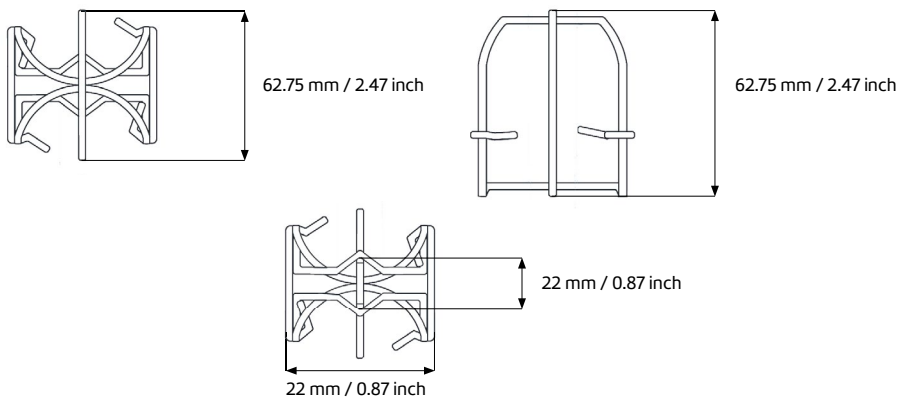
Description:
Headguard, 1-pc, 2-hk

Finishes:
Red, Chrome Plated

Color:
Red

Item Numbers:
02-600-00 (Red)
02-605-00 (Chrome Plated)

Material:
Steel Wire - .12"



Description

The 1-pc head guards are designed to provide protection against low level impacts to the sprinkler head. Featuring a dual hook attaching system, the head guards allow for installation on most 1/2" and 3/4" IPS sprinkler heads. They can also be provided with a water shield for in-rack sprinkler heads. Available in either red or chrome finish. Head guards will not protect sprinkler heads from severe abuse or impact.

The information contained herein is produced in good faith and is believed to be reliable but is provided for guidance and information purposes only. FPPI and its agents cannot assume liability or responsibility for results obtained in the use or misuse of its product by persons whose methods and qualifications are outside and beyond our control. It is the user's responsibility to determine the suitability of, methods of use, preparation prior to use, and appropriate installation for all products purchased from FPPI. It is the user's sole responsibility to observe and adapt such precautions as may be advisable or necessary for the protection of personnel and property in the handling and use of any of our products.



| PROJECT INFORMATION | APPROVAL STAMP |
|---------------------|-------------------|
| Project: | Approved |
| Address: | Approved as noted |
| Contractor: | Not approved |
| Engineer: | Remarks: |
| Submittal Date: | |
| Notes 1: | |
| Notes 2: | |