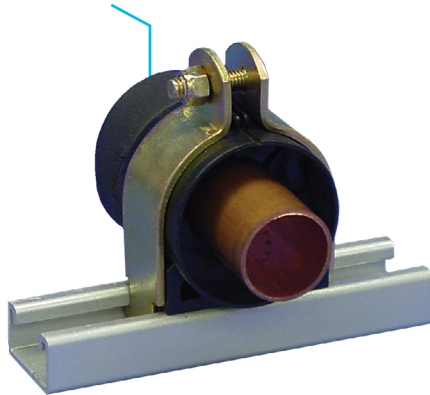


Klo-Shure® Strut Mounted Insulation Couplings with Strut Clamp Figs. AS23025 through AS8262PC



Description

Klo-Shure Strut Mounted parts include the Klo-Shure Coupling, clamp halves with welded fastener and locknut.

A Insulation Wall Thickness	Klo-Shure Part Number	B Klo-Shure ID - Tube OD	C Overall Dimension	Std Pkg
Klo-Shure Strut Mounted Coupling for 3/8" wall insulation	723025	1/4" ID	1.12	40
	723037	3/8" ID	1.25	25
	723050	1/2" ID	1.37	20
	723062	5/8" ID	1.50	20
	723075	3/4" ID	1.62	15
	723087	7/8" ID	1.75	15
	723100	1" ID	1.87	15
	723112	1 1/8" ID	2.00	15
	723137	1 3/8" ID	2.25	15
	723162	1 5/8" ID	2.50	10
	723212	2 1/8" ID	3.00	10

Note:
Klo-Shure® ID equals copper tube OD. Chart indicates coupling sizes currently available from Klo-Shure®.
Service Temperature -65°F to 275°F.

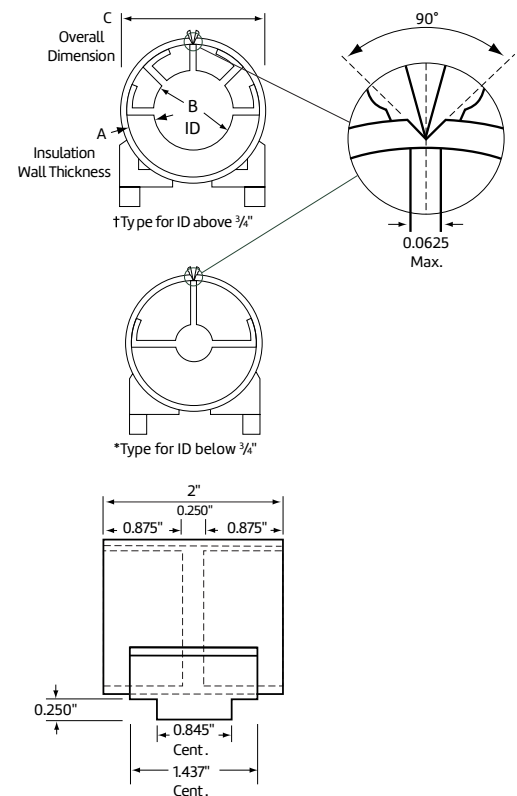
Specifications

Materials:

Clamp: 1008-1018 Carbon Steel
Coupling: High Strength TPO Plastic

Approvals:

UL 2043 Fire Test for Heat and Visible Smoke
Release - 25/50 Flame Spread/Smoke
Development Index



PROJECT INFORMATION	APPROVAL STAMP
Project:	Approved
Address:	Approved as noted
Contractor:	Not approved
Engineer:	Remarks:
Submittal Date:	
Notes 1:	
Notes 2:	

Klo-Shure® Strut Mounted Insulation Couplings with Strut Clamp Figs. AS23025 through AS8262PC

A Insulation Wall Thickness	Klo-Shure Part Number	B Klo-Shure ID – Tube OD	C Overall Dimension	Std Pkg
Klo-Shure Strut Mounted Coupling for 1/2" wall insulation	724037	3/8" ID	1.50	25
	724050	1/2" ID	1.62	20
	724062	5/8" ID	1.75	20
	724075	3/4" ID	1.87	15
	724087	7/8" ID	2.00	15
	724100	1" ID	2.12	15
	724112	1 1/8" ID	2.25	15
	724137	1 3/8" ID	2.50	15
	724162	1 5/8" ID	2.75	10
	724212	2 1/8" ID	3.25	10
	724262	2 5/8" ID	3.75	10
	724312	3 1/8" ID	4.25	10
	724362	3 5/8" ID	4.75	10
	724412	4 1/8" ID	5.25	10
Klo-Shure Strut Mounted Coupling for 3/4" wall insulation	726025	1/4" ID	1.87	20
	726037	3/8" ID	2.00	20
	726050	1/2" ID	2.12	15
	726062	5/8" ID	2.25	15
	726075	3/4" ID	2.37	15
	726087	7/8" ID	2.50	10
	726112	1 1/8" ID	2.75	10
	726137	1 3/8" ID	3.00	10
	726162	1 5/8" ID	3.25	10
	726212	2 1/8" ID	3.75	10
	726262	2 5/8" ID	4.25	10
	726312	3 1/8" ID	4.75	10
	726362	3 5/8" ID	5.25	10
	726412	4 1/8" ID	5.75	10

Note:
Klo-Shure® ID equals copper tube OD. Chart indicates coupling sizes currently available from Klo-Shure®.
Service Temperature –65°F to 275°F.

Klo-Shure® Strut Mounted Insulation Couplings with Strut Clamp Figs. AS23025 through AS8262PC

A Insulation Wall Thickness	Klo-Shure Part Number	B Klo-Shure ID – Tube OD	C Overall Dimension	Std Pkg
Klo-Shure Strut Mounted Coupling for 1" wall insulation	728062	5/8" ID	2.75	10
	728087	7/8" ID	3.00	10
	728112	1 1/8" ID	3.25	10
	728137	1 3/8" ID	3.50	10
	728162	1 5/8" ID	3.75	10
	728212	2 1/8" ID	4.25	10
	728262	2 5/8" ID	4.75	10
	728312	3 1/8" ID	5.25	10
Klo-Shure Strut Mounted Coupling for 1 1/2" wall insulation	728362	3 5/8" ID	5.75	10
	729037	3/8" ID	3.50	10
	729050	1/2" ID	3.62	10
	729062	5/8" ID	3.75	10
	729087	7/8" ID	4.00	10
	729112	1 1/8" ID	4.25	10
	729137	1 3/8" ID	4.50	10
	729162	1 5/8" ID	4.75	10
729212	2 1/8" ID	5.25	10	
729312	3 1/8" ID	6.25	10	

Note:
Klo-Shure® ID equals copper tube OD. Chart indicates coupling sizes currently available from Klo-Shure®.
Service Temperature –65°F to 275°F.