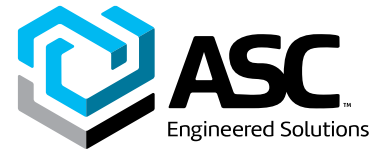


Building connections that last™



Sharpe®

Lockable Stem Extension Datasheet



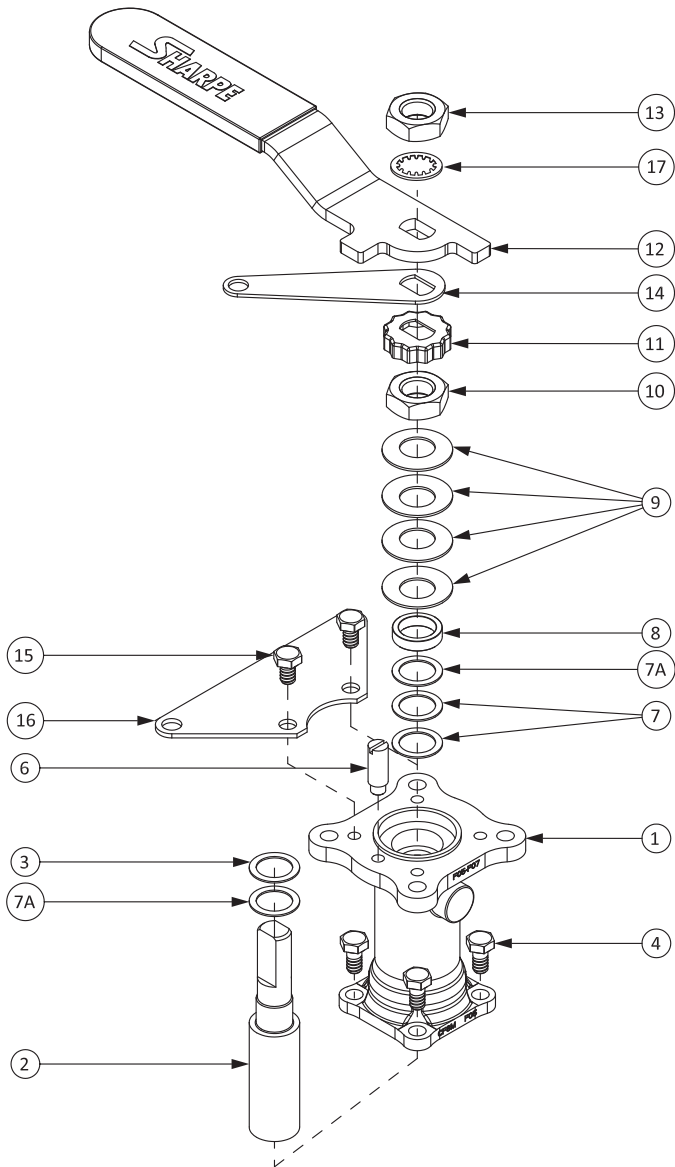
Lockable Stem Extension Sharpe®



Design Features

- Lockable Stem Extensions can be used in both manual and automated applications.
- The bonnet is a one piece casting.
- The top platform has multiple ISO bolt patterns to provide flexibility for accessories.
- The bottom flange also has an ISO 5211 bolt pattern and has a groove which encapsulates the bonnet seal.
- Bonnet heights are 3.25" and 4"* enabling insulation of pipe and valve when required. *Heights are determined by size and series of valve.
- Materials of construction include both; Stainless Steel A351 CF8M Carbon Steel A16 WCB.
- The bonnet has been designed to allow easy access to both bonnet and stem nuts.
- The markings on the bonnet include the material of construction, ISO pattern and the Sharpe logo.

Lockable Stem Extension Sharpe®



Parts & Materials

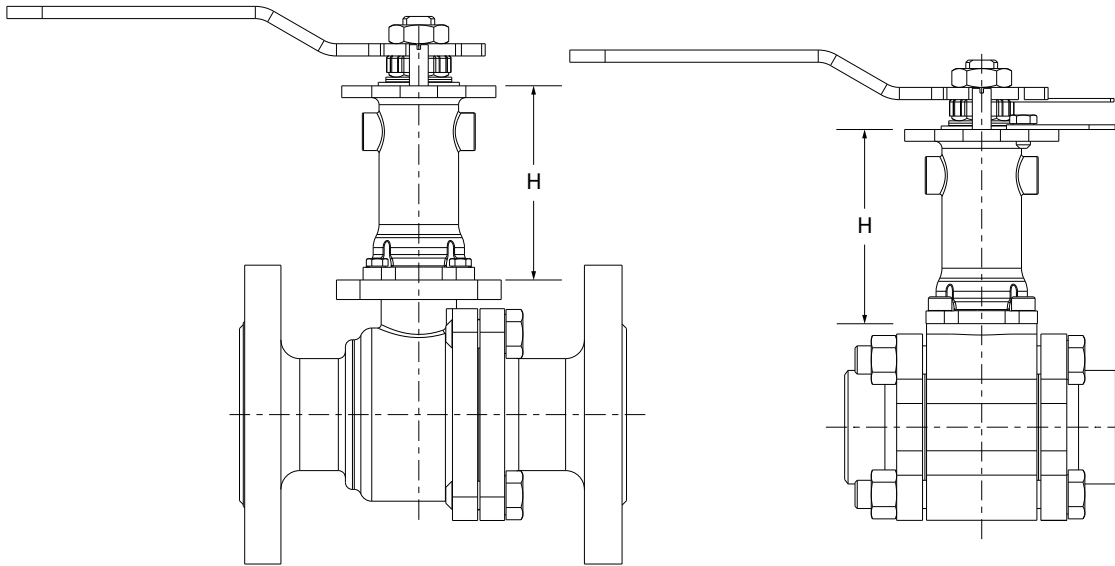
No.	Part Name	Qty.	Material
1	Bonnet	1	316 Stainless Steel ASTM A351 CF8M Carbon Steel ASTM A216 WCB
2	Coupler	1	17-4PH Stainless Steel
3	Thrust Bearing	1	Nova
4	Bonnet Bolts	4	300 Series Stainless Steel
6	Stop Pin	1	300 Series Stainless Steel
7	Stem Packing	2	Nova (top is thick, bottom is thin)
7A	Thrust Bearing	2	Peek
8	Gland (2-1/2" thru 4" use 2 pcs.)	1 or 2	300 Series Stainless Steel
9	Belleville Washer	4	300 Series Stainless Steel
10	Packing Nut	1	300 Series Stainless Steel
11	Lock Tab	1	300 Series Stainless Steel
12	Handle	1	300 Series Stainless Steel
13	Handle Nut	1	300 Series Stainless Steel
14	Upper Latch Lock Bolt	1	300 Series Stainless Steel
15	Latch Bolts	2	300 Series Stainless Steel
16	Lower Lock Latch	1	300 Series Stainless Steel
17	Lock Washer	1	300 Series Stainless Steel

Note:

Series 84 2-1/2" - 4" and Series 99 2"-3" uses wrench block and wrench type handle.

Lockable Stem Extension Sharpe®

Dimensions



Series 84

Size	ISO Bottom	ISO Top	H
1/4-3/4	F03	F03-04-05	3.25
1-1 1/4	F04	F04-05	3.25
1 1/2-2	F05	F05-07	3.25
2 1/2	F07	F07	3.25
3-4	F10	F10-12	4

Series 99

Size	ISO Bottom	ISO Top	H
1/4-1/2	F03	F03-04-05	3.25
3/4-1	F04	F04-05	3.25
1 1/4-1 1/2	F05	F05-07	3.25
2	F07	F07	3.25
2 1/2-3	F10	F10-12	4

Series 50/54

Size	ISO Bottom	ISO Top	H
1/2-2	F05	F05-07	3.25
2 1/2-4	F07	F07	4

Lockable Stem Extension
Sharpe®



How to order Lockable Stem Extension

Fig:

2" - LSE 84 - 6

Size Series Bonnet & Stem

Size	For Valve Series	Bonnet & Stem
1/4	LSE 84	6 316 Stainless Steel Bonnet & 17-4PH Stainless Steel Stem
3/8	LSE 99	4 Carbon Steel Bonnet & 17-4PH Stainless Steel Stem
1/2	LSE 50	
3/4	LSE 54	
1		
1-1/4		
1-1/2		
2		
2-1/2		
3		
4		

About ASC Engineered Solutions

ASC Engineered Solutions is defined by quality—in its products, services and support. With more than 1,400 employees, the company's portfolio of precision-engineered piping support, valves and connections provides products to more than 4,000 customers across industries, such as mechanical, industrial, fire protection, oil and gas, and commercial and residential construction. Its portfolio of leading brands includes ABZ Valve®, AFCON®, Anvil®, Anvil EPS, Anvil Services, Basic-PSA, Beck®, Catawissa, Cooplet®, FlexHead®, FPPI®, Gruklok®, J.B. Smith, Merit®, North Alabama Pipe, Quadrant®, SCI®, Sharpe®, SlideLOK®, SPF® and SprinkFLEX®. With headquarters in Commerce, CA, and Exeter, NH, ASC also has ISO 9001:2015 certified production facilities in PA, TN, IL, TX, AL, LA, KS, and RI.



asc-es.com

Building connections that last™

FC-DS-LSE-v0120211004

