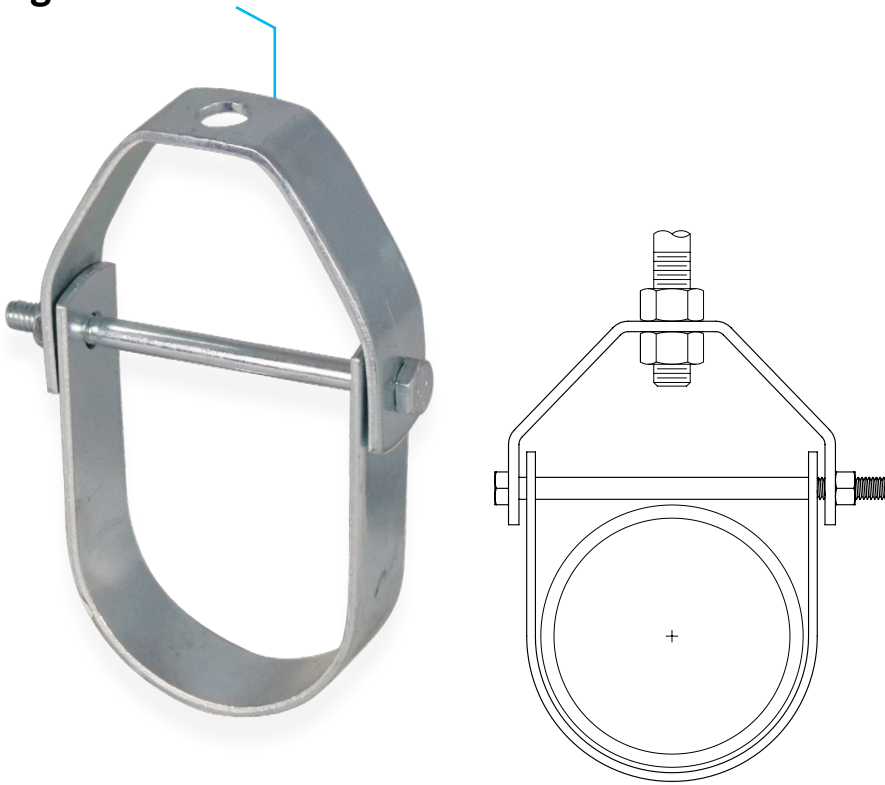


Imported Adjustable Clevis Hanger Fig. 001G



Size Range: ½" through 6" NPS

Finish: Electro-Galvanized

Service: For the suspension of stationary pipe.

Maximum Temperature: 450° F

Approvals: MSS SP-58 (Type-1)

Installation: Hanger load nut above clevis must be tightened securely to assure proper hanger performance.

Adjustment: Vertical adjustment without removing pipe may be made from ¾" through 5-⅛", varying with the size of clevis. Tighten upper nut after adjustment.

Order by: Nominal pipe size and figure number.

Notes:

- For U.S. domestic product see Anvil Fig. 260 Clevis Hanger.
- For insulated line options without shields, see Figures 260 ISS and Figure 300. For insulated line options with shields, see Figures 167 and 168. For ductile iron pipe sizes, see Figure 590.
- Fig. 260F (Felt lined) – available for use for suspension of copper (or other material) so as to prevent electrolysis between the dissimilar metals of the hanger and the pipe, tube or conduit.

Caution: When an oversize clevis is used, a pipe spacer or multi-spacer should be placed over clevis bolt to ensure that the lower U-strap will not move in on the bolt.

Fig. 001G: Dimensions (in) Loads (lbs) • Rod Size (in)

Pipe Size	Max Load	Rod Size
½	150	⅜
¾	150	⅜
1	150	⅜
1¼	150	⅜
1½	150	⅜
2	150	⅜
2½	150	½
3	200	½
4	250	⅝
6	480	¾



PROJECT INFORMATION	APPROVAL STAMP
Project:	Approved
Address:	Approved as noted
Contractor:	Not approved
Engineer:	Remarks:
Submittal Date:	
Notes 1:	
Notes 2:	