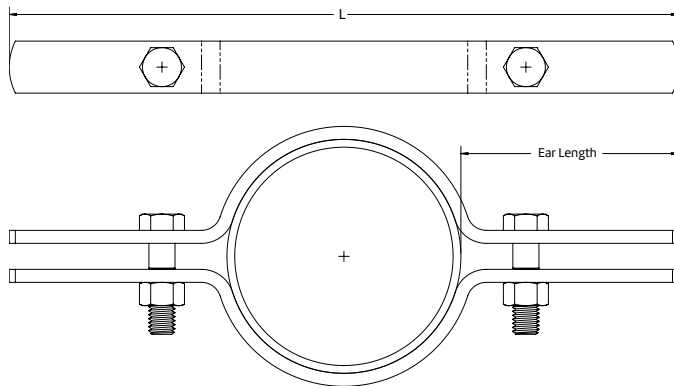


Stainless Steel Riser Clamp Fig. 261SSG



Size Range: 1" through 12" NPS (for larger pipe sizes contact ASC Customer Service)

Material: 304 Stainless Steel

Service: For support of vertical (riser) steel pipe and conduit.

Maximum Temperature: 650°F

Approvals: MSS SP-58 (Type-8)

Installation: Clamp is fitted and bolted below a coupling, hub or welded lugs on steel pipe (2 lugs up to 3" pipe, 4 lugs up to 12" pipe). Bolt torques should be per industry standards. Clamp is designed for standard steel pipe O.D. and this must be considered in sizing the riser for other types of piping.

Ordering: Nominal pipe size and figure number.

Notes:

- For U.S. domestic product order Fig. 261SS



Fig. 261SSG: Dimensions (in) • Loads (lbs)

Pipe Size	Max Load	L
1/2	150	8 1/2
3/4	150	8 15/16
1	150	8 15/16
1 1/4	150	9 7/16
1 1/2	150	9 7/8
2	150	10 1/4
2 1/2	150	11
3	200	11 3/4
4	250	13
6	480	16
8	760	18 1/4
10	1120	20 5/8
12	1480	23

PROJECT INFORMATION	APPROVAL STAMP
Project:	Approved
Address:	Approved as noted
Contractor:	Not approved
Engineer:	Remarks:
Submittal Date:	
Notes 1:	
Notes 2:	