

Fig. 005FG

Felted J-Hanger

Size Range: ½" through 4" copper tubing

Material: Carbon Steel and felt with adhesive backing

Finish: Electro-Galvanized

Service: Recommended for the suspension of stationary pipe.

Maximum Temperature: 120° F

Approvals: MSS SP-58 (Type-5)

Installation: Can be suspended by hanger rod or attached to wall. "T" slot in Hanger permits side bolt to be installed after installation and setting of pipe.

Ordering: Nominal pipe size and figure number.

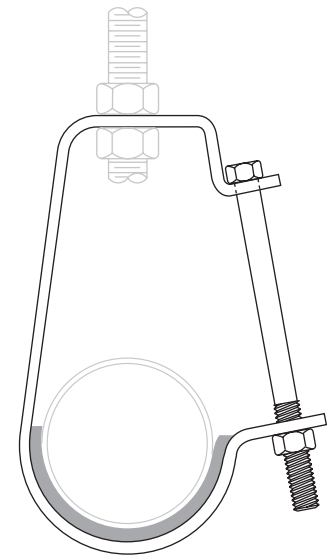


FIG. 005FG: DIMENSIONS (IN) • LOADS (LBS)

Pipe Size	Max Load	Rod Size
½	150	3/8
¾	150	3/8
1	150	3/8
1¼	150	3/8
1½	150	3/8
2	150	3/8
2½	150	1/2
3	200	1/2
4	250	5/8

PROJECT INFORMATION

APPROVAL STAMP

Project:	<input type="checkbox"/> Approved
Address:	<input type="checkbox"/> Approved as noted
Contractor:	<input type="checkbox"/> Not approved
Engineer:	Remarks:
Submittal Date:	
Notes 1:	
Notes 2:	