



# Limit Switches

**This product is discontinued.**



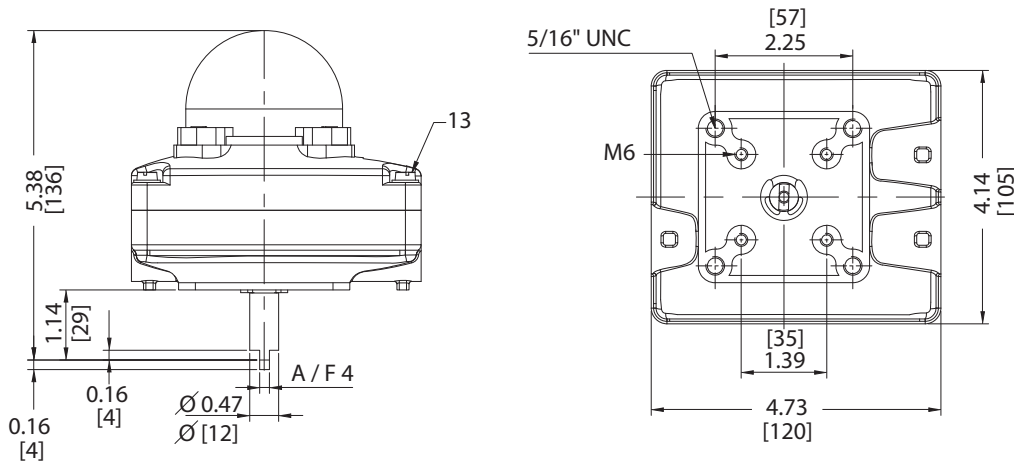
**Housing Material:** Die cast aluminum with powder coating

**Indicator Cover:** Shatterproof polycarbonate

**Temperature:** -4°F to 146°F

- Special printed circuit board eliminates all wiring from the switch element to the terminal while providing protection against short circuits
- Complies to NAMUR mounting standards
- NAMUR pattern mounting kits available
- UL Listed, for both NEMA 4/4X and NEMA 7/9
- NEMA 7/9 Class I Groups C&D, Class II Groups E, F & G Divisions 1 and 2
- Solenoid termination inside switch box
- Proximity Switches designed for Intrinsically Safe Applications

## NEMA 4/4X Dimensions



## NEMA 4/4X/7/9 Dimensions

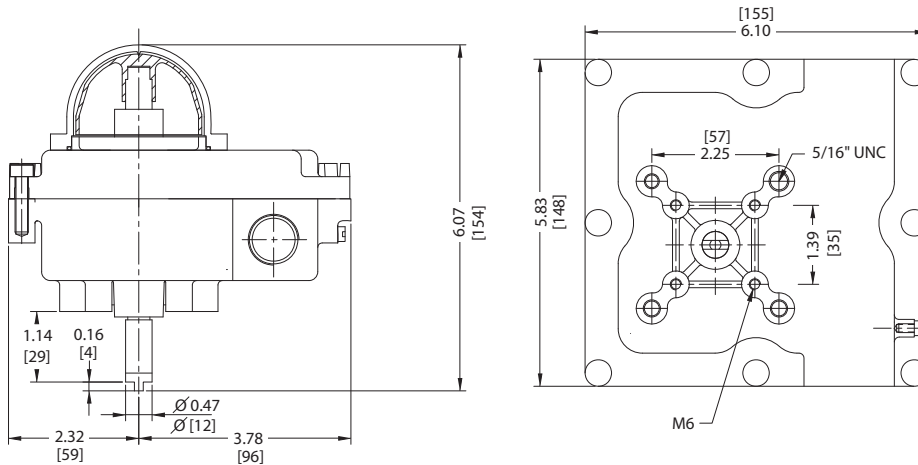


Fig: SL-XS4MH10-M2

Description: SL - NEMA 4 Mechanical - M2 Bracket Size

### Limit Switch Part Number Chart

Model	Rating	Bracket
SL	XS4MH10 S9MH10	NEMA 4/4X MECHANICAL NEMA 4/4X/7/9 MECHANICAL
	XS4PPF8 S9PPF2	NEMA 4/4X PROXIMITY NEMA 4/4X/7/9 PROXIMITY

**Discontinued**

Note: Bracket as determined by actuator model and size.