

Pipe Stays & MJ Hangers

Fig. 221



About the Product

Pipe Stay Specifications

All ASC Engineered Solutions™ Pipe Stays are made of carbon steel and black epoxy coated. They have a vertical or horizontal offset pipe guide and are specifiable by pipe size, figure number, name and finish.

Fig. 250



Please contact your local ASC Engineered Solutions sales representative for more information about our Pipe Stays and MJ Hangers.

Fig. 221

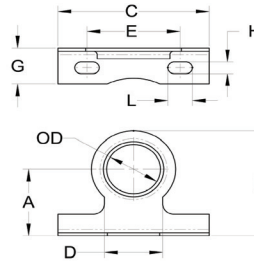
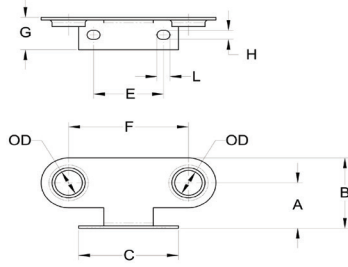
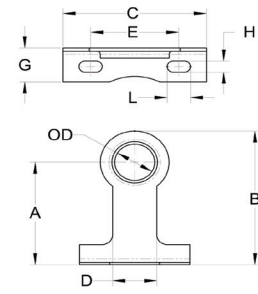


Fig. 220

Fig. 222



Double Pipe Stays Fig. 221

Size	A	B	C	E	F	OD	G	H	L	WT
1/2 C x 3/8 IP	2.500 in	2.825 in	2.500 in	1.750 in	3.000 in	0.687 in	0.820 in	0.246 in	0.325 in	0.16 lb
3/4 C x 1/2 IP						0.906 in				0.15 lb

Standard Pipe Stays Fig. 220

Size	A	B	C	D	E	OD	G	H	L	WT
1/2 C x 3/8 IP	1.125 in	1.609 in	2.500 in	1.000 in	1.750 in	0.687 in	0.768 in	0.220 in	0.484 in	0.07 lb
3/4 C x 1/2 IP	1.187 in	1.672 in				0.906 in				0.08 lb
1 C x 3/4 IP	1.500 in	2.028 in	3.250 in	1.250 in	2.000 in	1.156 in	0.280 in	0.528 in	0.12 lb	
1 1/4 C x 1 IP						1.406 in				
1 1/2 C x 1 1/4 IP	2.500 in	3.028 in	4.000 in	1.750 in	3.000 in	1.719 in	0.945 in	0.303 in	0.528 in	0.22 lb
1 1/2 IP	2.625 in	3.153 in	1.969 in	0.25 lb						
2 IP	2.687 in	3.215 in	4.500 in	2.187 in	3.250 in	2.437 in	0.945 in	0.303 in	0.528 in	0.26 lb
2 C						2.187 in				0.25 lb

Double Pipe Stays Fig. 222

Size	A	B	C	D	E	OD	G	H	L	WT
1/2 C x 3/8 IP	2.500 in	2.989 in	2.500 in	1.000 in	1.750 in	0.687 in	0.768 in	0.220 in	0.484 in	0.10 lb
3/4 C x 1/2 IP						0.906 in				
1 C x 3/4 IP	2.687 in	3.215 in	3.250 in	1.250 in	2.000 in	1.156 in	0.280 in	0.528 in	0.15 lb	
1 1/4 C x 1 IP						1.406 in				0.17 lb

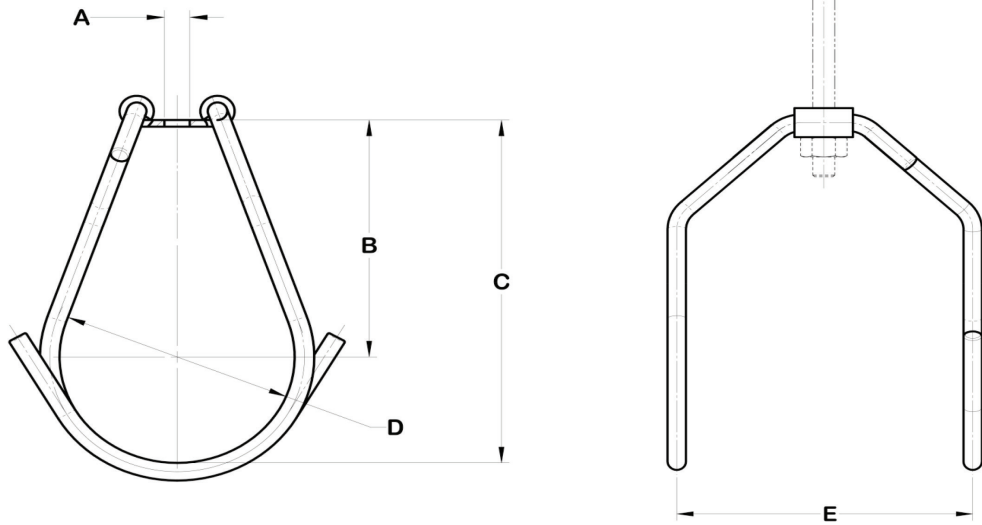


asc-es.com

Building connections that last™



Fig. 250



MJ Hanger Fig. 250

Size	ØA	ØD	B	C	E	WT
2 in		2.950 in	1.925 in	4.875 in	4.500 in	200 lb
3 in	0.406 in	3.780 in	2.220 in	6.000 in	4.750 in	
4 in		4.710 in	1.990 in	6.700 in	5.120 in	
6 in	0.488 in	6.890 in	4.110 in	11.000 in	6.750 in	



asc-es.com

Building connections that last™

