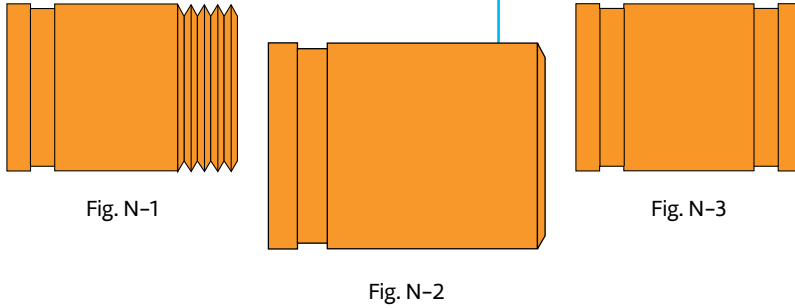


- Fig. N-1** GR x MPT Adapter Nipple
- Fig. N-2** GR x B Adapter Nipple
- Fig. N-3** GR x GR Adapter Nipple



Material Specifications

Fabricated Fittings

1"-10" Carbon Steel, Schedule 40, conforming to ASTM A53, Grade B

12" and above Carbon Steel, Standard Wall, conforming to ASTM A53, Grade B

Coatings

Rust inhibiting paint

Color: Orange (standard)

Hot Dipped Zinc Galvanized conforming to ASTM A153 (optional)

Other available options

Example: RAL3000 or RAL9000 Series



PROJECT INFORMATION	APPROVAL STAMP
Project:	Approved
Address:	Approved as noted
Contractor:	Not approved
Engineer:	Remarks:
Submittal Date:	
Notes 1:	
Notes 2:	

Fig. N-1
Groove x MPT Adapter Nipple

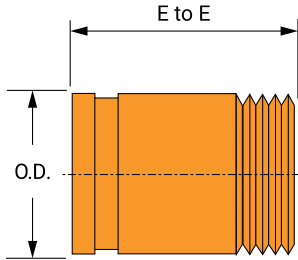


Fig. N-2
Groove x Bevel Adapter Nipple

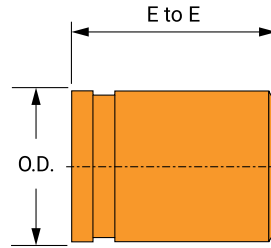
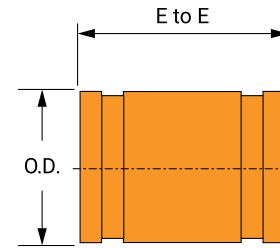


Fig. N-3
Groove x Groove Adapter Nipple



Nominal Size	O.D.	End to End	Approx. Wt. Ea.	Nominal Size	O.D.	End to End	Approx. Wt. Ea.
In./DN(mm)	In./mm	In./mm	Lbs./kg	In./DN(mm)	In./mm	In./mm	Lbs./kg
1 25	1.315 33.4	3 76	0.40 0.18	4 100	4.500 114.3	6 152	5.50 2.49
1¼ 32	1.660 42.2	4 102	0.80 0.36	5 125	5.563 141.3	6 152	7.40 3.36
1½ 40	1.900 48.3	4 102	0.90 0.41	6 150	6.625 168.3	6 152	9.50 4.31
2 50	2.375 60.3	4 102	1.20 0.54	8 200	8.625 219.1	6 152	14.20 6.44
2½ 65	2.875 73.0	4 102	1.90 0.86	10 250	10.750 273.1	8 203	27.00 12.25
3 80	3.500 88.9	4 102	2.50 1.13	12 300	12.750 323.9	8 203	33.00 14.97



asc-es.com

Building connections that last™