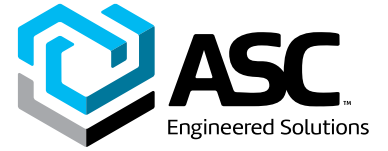


Building connections that last™



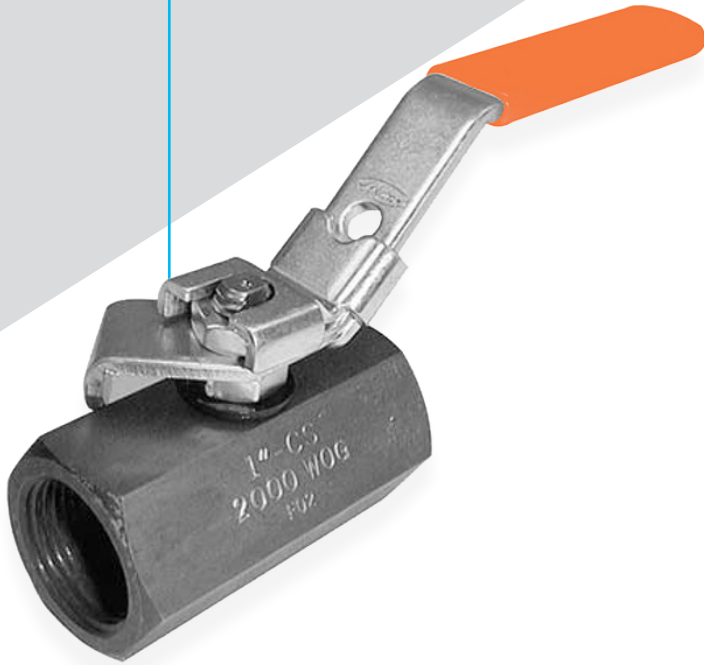
Series 10

Carbon Steel, Unibody Ball Valve Datasheet

2000 PSI CWP, 1/4" - 2"



Carbon Steel, Unibody Ball Valves Series 10



Feature

- Unibody, Barstock Steel Design
- Compact
- 2000 PSI CWP Rating, Cold Non-Shock – All Sizes
- Adjustable Stem Packing
- "Live Loaded" Stem Packing Design
- Blowout-proof Stem Design
- AISI 1017 Carbon Steel Bodies and Tailpieces
- Reinforced Seats and Seals
- 316 Stainless Steel Ball and Stem Available
- Female NPT Threaded End Connections
- "Tamperproof" Locking Handles Available in Carbon and Stainless Steel

Ratings

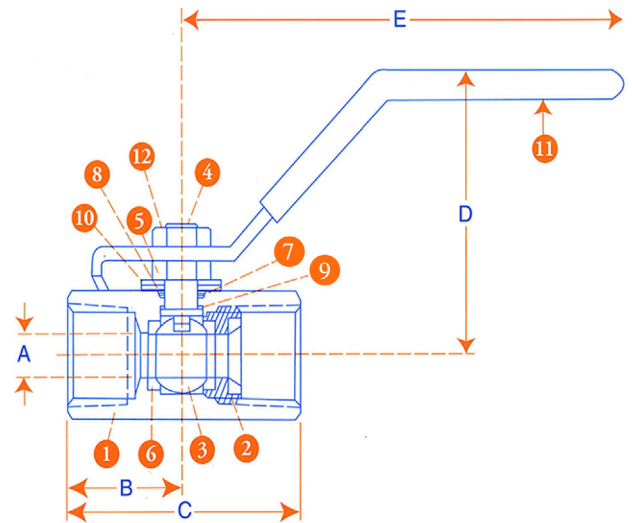
2000 PSIG @100°F

150 PSIG Saturated Steam

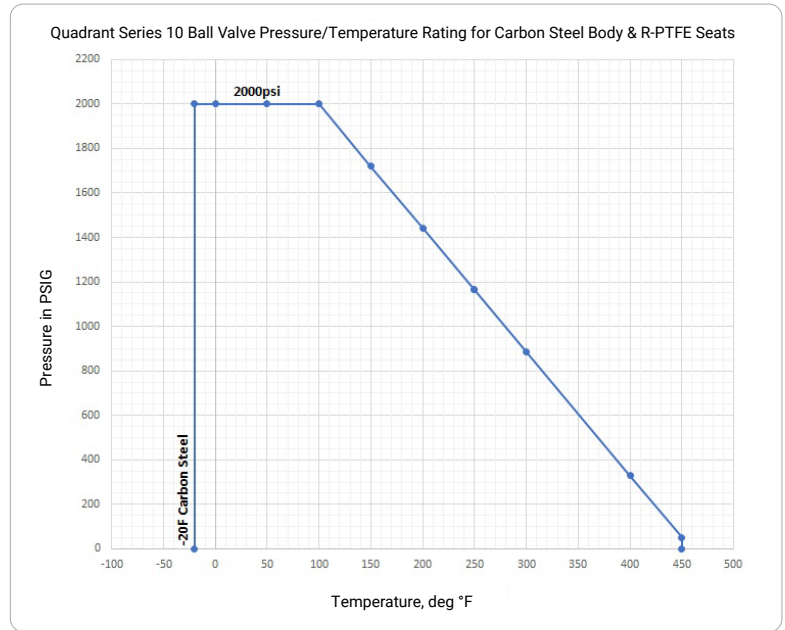
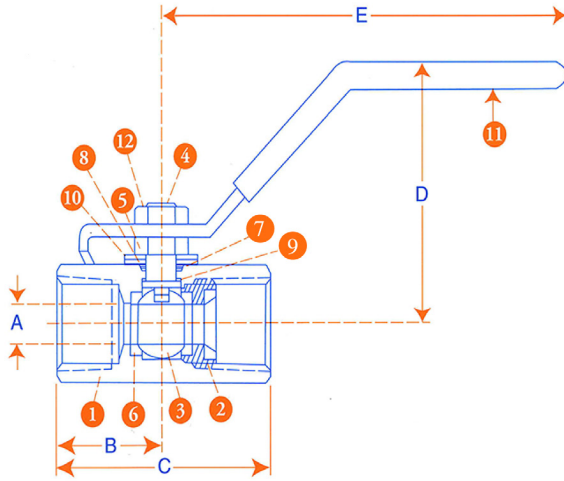
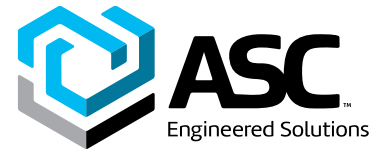
Materials of Construction

Part	Description	10-CC	10-CS
1	Body	AISI 1017	AISI 1017
2	Tailpiece	AISI 1017	AISI 1017
3	Ball	ASTM A276 304 SS	ASTM A276 316 SS
4	Stem	AISI 1045 Carbon Steel	ASTM A276 316 SS
5	Packing Nut	Carbon Steel-Plated	Carbon Steel-Plated
6	Seats (2)	R-PTFE*	R-PTFE*
7	Packing	R-PTFE*	R-PTFE*
8	Washer	ASTM A276 304 SS	ASTM A276 304 SS
9	Thrust Washer	R-PTFE	R-PTFE
10	Belleville Washer (2)	Carbon Steel-HT	Carbon Steel-HT
11	Handle Assy	Carbon Steel-Plated	304 Stainless Steel
12	Handle Nut	Carbon Steel-Plated	304 Stainless Steel

* Glass Reinforced PTFE.



Carbon Steel, Unibody Ball Valves Series 10



Dimensions, Weights, Cv Factors & Maximum Operating Torque

Size	A	B	C	D	E	Weight Lbs.	Cv	Max Torque R-PTFE
¼" - ⅜"	0.35	1.20	2.22	2.20	4.13	0.7	4	50 IN-LB
½"	0.35	1.13	2.19	2.20	4.13	0.7	4	50 IN-LB
¾"	0.47	1.30	2.63	2.30	4.13	0.8	8	65 IN-LB
1"	0.62	1.57	3.15	2.57	5.79	1.7	14	125 IN-LB
1-¼"	0.81	1.75	3.62	2.71	5.79	2.4	19	160 IN-LB
1-½"	1.00	1.91	4.00	2.94	6.97	3.5	33	210 IN-LB
2"	1.25	2.03	4.5	3.13	7.20	5.5	51	340 IN-LB

Numbering System How to order Series 10

10	D	C	C	R	R	LH	TT	100
Series	Port Size	Body Material	Ball/Stem Material	Seat Material	Seal Material	Handle Type	Ends	Size
Unibody (Barstock) 10 2000 psi CWP Rating	D Double Reduced	C Carbon Steel AISI 1017	C Plated Carbon Steel S 316 Stainless Steel	R R-PTFE (Glass Reinforced PTFE)	R R-PTFE (Glass Reinforced PTFE)	LH CS Lever LL CS Latch Lock SH Stainless Lever SL Stainless Latch Lock	TT FNPT	025 ¼" 038 ⅜" 050 ½" 075 ¾" 100 1" 125 1-¼" 150 1-½" 200 2"

* Glass Reinforced PTFE.

Note:
Responsibility for proper selection, use and maintenance of any product remains solely with the purchaser and end user. We reserve the right to modify or improve the designs or specifications of any product at any time without notice.

About ASC Engineered Solutions

ASC Engineered Solutions is defined by quality—in its products, services and support. With nearly 2,000 employees, the company's portfolio of precision-engineered piping support, valves and connections provides products to more than 4,000 customers across industries, such as mechanical, industrial, fire protection, oil and gas, and commercial and residential construction. Its portfolio of leading brands includes ABZ Valve®, AFCON®, Anvil®, Anvil EPS, Anvil Services, Basic-PSA, Beck®, Catawissa, Cooplet®, FlexHead®, FPPI®, Gruvlok®, J.B. Smith, Merit®, North Alabama Pipe, Quadrant®, SCI®, Sharpe®, SlideLOK®, SPF®, SprinkFLEX®, Trenton Pipe and VEP. With headquarters in Oak Brook, IL, ASC also has ISO 9001:2015 certified production facilities in PA, TN, IL, TX, AL, LA, KS, and RI.



asc-es.com

Building connections that last™

FC-DS-Series-10-v03 20231129

