

Building connections that last™

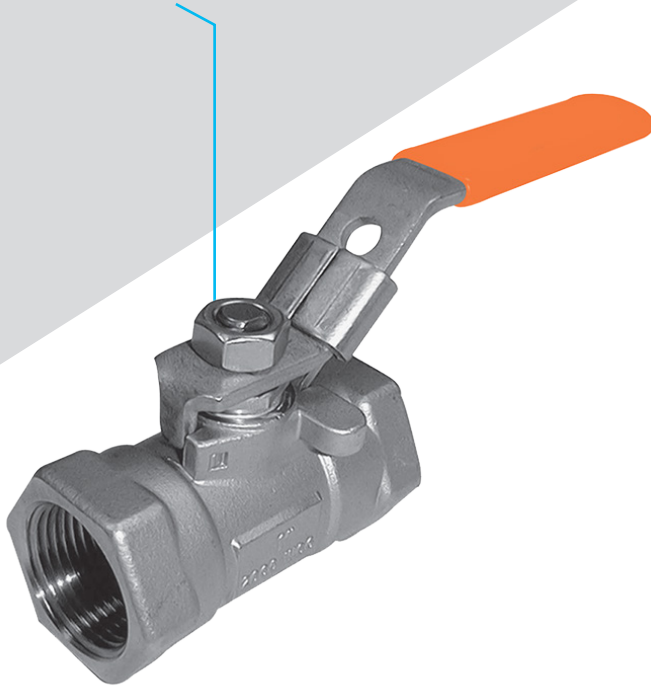


12 QVA

Unibody Ball Valves Datasheet



Unibody Ball Valves 12 QVA



Features

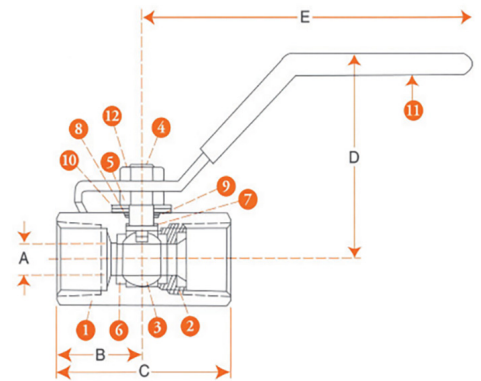
- Investment Cast CF8M Stainless or WCB Carbon Steel Bodies
- 2000 WOG – All Sizes
- All Models are NACE Compliant
- All Models are API 607 Fire Safe
- Standard Latch-Lock Handles
- Standard 316SS Ball and Stem
- 250 PSI Saturated Steam Rating
- API 641 Certified

Ratings

2000 PSIG @100°F Water, Oil, Gas
All Sizes – 250 PSIG Saturated Steam

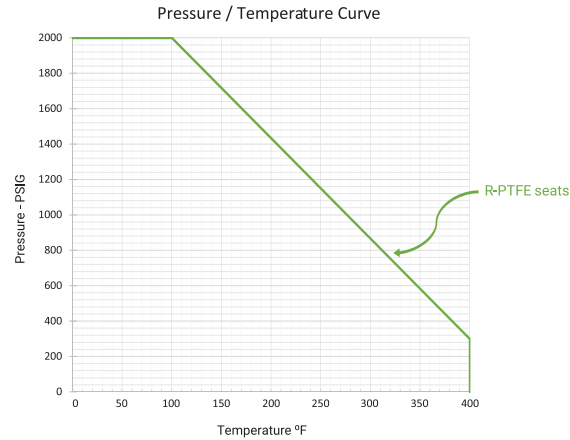
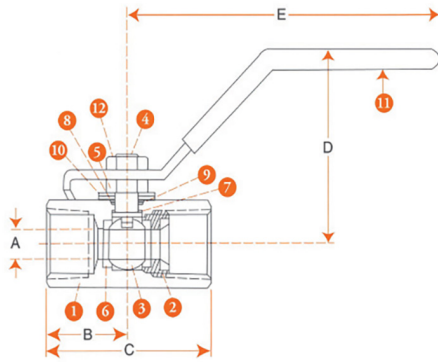
Materials of Construction

Part	Description	12-CS	12-SS
1	Body	ASTM A216 WCB	ASTM A351 Gr. CF8M
2	Tailpiece	AISI 1017 CS	ASTM A276 Gr. 316SS
3	Ball	ASTM A276 Gr. 316SS	ASTM A276 Gr. 316SS
4	Stem	ASTM A276 Gr. 316SS	ASTM A276 Gr. 316SS
5	Packing Nut	ASTM A276 Gr. 316SS	ASTM A276 Gr. 316SS
6	Seats (2)	R-PTFE	R-PTFE
7	Packing	Graphite	Graphite
8	Thrust Washer	R-PTFE	R-PTFE
9	Handle Nut	Carbon Steel - Plated	304 Stainless Steel
10	Handle Assy	Carbon Steel - Plated	304 Stainless Steel



Unibody Ball Valves

12 QVA



Dimensions, Weights, Cv Factors & Maximum Operating Torque

Size	A	B	C	D	E	Weight Lbs.	CV	Max Torque
1/4 - 3/8"	0.31	1.08	2.28	1.91	4.29	0.7	4.0	60 IN-LB
1/2"	0.31	1.22	2.60	1.91	4.29	0.7	4.0	60 IN-LB
3/4"	0.47	1.36	2.83	2.15	4.29	1.0	8.0	75 IN-LB
1"	0.62	1.61	3.23	2.55	5.83	1.6	14.0	150 IN-LB
1-1/4"	0.81	1.79	3.54	2.70	5.83	2.3	19.0	180 IN-LB
1-1/2"	1.00	1.95	3.86	3.45	7.36	3.3	33.0	300 IN-LB
2"	1.25	2.22	4.33	3.63	7.36	4.7	51.0	400 IN-LB

Numbering System How to order 12 QVA

12	D	S	S	R	G	SL	TT	100
Series	Port Size	Body Material	Ball/Stem Material	Seat Material	Seal Material	Handle Type	Ends	Size
12 Unibody Investment Cast	D Double Reduced Port	C A216 Grade WCB	S 316 Stainless	R R-PTFE	G Graphite	LL CS Latch Lock	TT FNPT	025 1/4"
		S A351 Grade CF8M				SL Stainless Latch Lock		038 3/8"
		LO Locking Stainless Oval				050 1/2"		
		ST 304SS Tee Handle				075 3/4"		
		100 1"						
		125 1 - 1/4"						
		150 1 - 1/2"						
200 2"								

About ASC Engineered Solutions

ASC Engineered Solutions is defined by quality—in its products, services and support. With more than 1,400 employees, the company's portfolio of precision-engineered piping support, valves and connections provides products to more than 4,000 customers across industries, such as mechanical, industrial, fire protection, oil and gas, and commercial and residential construction. Its portfolio of leading brands includes ABZ Valve®, AFCON®, Anvil®, Anvil EPS, Anvil Services, Basic-PSA, Beck®, Catawissa, Cooplet®, FlexHead®, FPPI®, Golvlok®, J.B. Smith, Merit®, North Alabama Pipe, Quadrant®, SCI®, Sharpe®, SlideLOK®, SPF® and SprinkFLEX®. With headquarters in Commerce, CA, and Exeter, NH, ASC also has ISO 9001:2015 certified production facilities in PA, TN, IL, TX, AL, LA, KS, and RI.



asc-es.com

Building connections that last™

FC-DS-12 QVA-v02 20220330

