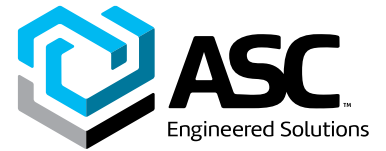


Building connections that last™



Series 20B

2-Piece Bronze
Ball Valve Datasheet

600 PSI CWP, ¼"-4"



2-Piece Bronze Ball Valve Series 20B



Features

- Heavy Wall, Cast Bronze Bodies
- Two-Piece Body
- 600 PSI CWP Pressure Rating - All Sizes
- Adjustable Stem Packing
- Blowout-proof Stem Design
- Reinforced Seats
- 316 Stainless Steel Ball and Stem Available
- Female NPT Thread or Solder Ends Available
- Locking Handles Available in Carbon and Stainless Steel

Note: Always solder valve while in fully open position and apply wet rag to center of body during soldering.

Ratings

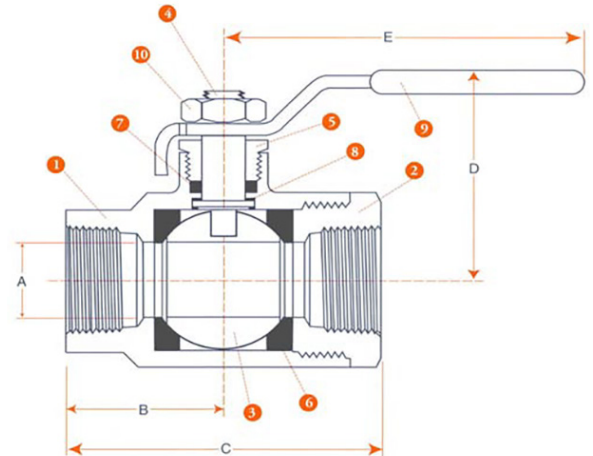
600 PSIG @100°F

150 PSIG Saturated Steam (NPT Only)

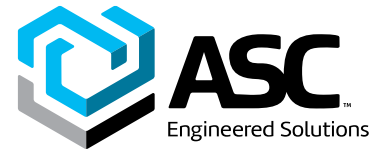
Materials of Construction

Part	Description	20-BP	20-BS
1	Body	Bronze B584 C84400	Bronze BC84400
2	Tailpiece	Brass B124 C37700	Brass B124 C37700
3	Ball	Brass Chrome Plated	ASTM A276 316 SS
4	Stem	Brass BC36000	ASTM A276 316 SS
5	Packing Nut	Brass B16 C36000	Brass B16 C36000
6	Seats (2)	R-PTFE*	R-PTFE*
7	Packing	R-PTFE*	R-PTFE*
8	Thrust Washer	R-PTFE*	R-PTFE*
9	Handle Assy	Carbon Steel - Zinc Plate	304 Stainless Steel
10	Handle Nut	Carbon Steel - Zinc Plate	304 Stainless Steel

* Glass Reinforced PTFE.

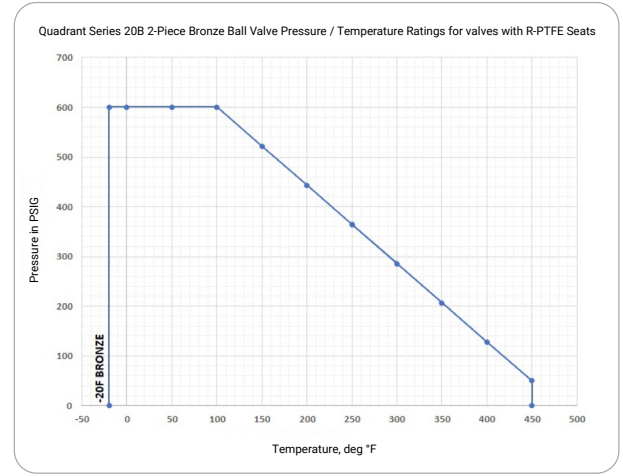


2-Piece Bronze Ball Valve Series 20B



Dimensions, Weights, Cv Factors & Maximum Operating Torque

Size	A (Port)	B	C NPT	C SOLDER	D	E	Weight Lbs.	Cv	Max Torque R-PTFE
¼" - ⅜"	0.38	0.98	2.00	2.00	1.82	3.97	0.48	9	22 IN-LB
½"	0.50	1.17	2.43	2.30	1.92	3.95	0.68	16	40 IN-LB
¾"	0.75	1.40	2.79	3.00	2.40	4.88	1.25	60	78 IN-LB
1"	0.99	1.57	3.32	3.70	2.53	4.88	1.76	60	113 IN-LB
1-¼"	0.99	1.98	3.95	3.80	2.78	4.88	2.33	52	113 IN-LB
1-½"	1.25	2.14	4.24	4.30	3.20	7.23	3.37	80	217 IN-LB
2"	1.50	2.29	4.58	5.20	3.32	7.23	5.00	115	247 IN-LB
2-½"	1.97	2.85	5.71	6.00	3.51	7.23	8.50	265	382 IN-LB
3"	2.50	3.50	7.01	7.40	4.39	8.47	14.6	420	400 IN-LB
4"	2.99	3.74	7.43	--	4.75	8.47	15.6	500	450 IN-LB



Numbering System How to order Series 20B

20	F	B	P	R	R	LH	TT	050
Series	Port Size	Body Material	Ball/Stem Material	Seat Material	Seal Material	Handle Type	Ends	Size
20 2-Piece Ball Valve 600 PSI CWP	F Full (¼"-1")	B Bronze	P Plated Brass	R R-PTFE (Glass Reinforced PTFE)	R R-PTFE (Glass Reinforced PTFE)	LH CS Lever	TT FNPT	025 ¼" (F Port)
	R Reduced (1-¼"-4")		S 316 Stainless			LL CS Latch Lock	CC Solder Ends	038 ⅜" (F Port)
						SL SS Latch Lock		050 ½" (F Port)
						CO CS Oval		075 ¾" (F Port)
						LO Locking Stainless Oval		100 1" (F Port)
								125 1 - ¼" (R Port)
								150 1 - ½" (R Port)
								200 2" (R Port)
								250 2 - ½" (R Port)
								300 3" (R Port)
								400 4" (R Port)

Note:
Responsibility for proper selection, use and maintenance of any product remains solely with the purchaser and end user. We reserve the right to modify or improve the designs or specifications of any product at any time without notice.

About ASC Engineered Solutions

ASC Engineered Solutions is defined by quality—in its products, services and support. With nearly 2,000 employees, the company's portfolio of precision-engineered piping support, valves and connections provides products to more than 4,000 customers across industries, such as mechanical, industrial, fire protection, oil and gas, and commercial and residential construction. Its portfolio of leading brands includes ABZ Valve®, AFCON®, Anvil®, Anvil EPS, Anvil Services, Basic-PSA, Beck®, Catawissa, Cooplet®, FlexHead®, FPPI®, Gruvlok®, J.B. Smith, Merit®, North Alabama Pipe, Quadrant®, SCI®, Sharpe®, SlideLOK®, SPF®, SprinkFLEX®, Trenton Pipe and VEP. With headquarters in Oak Brook, IL, ASC also has ISO 9001:2015 certified production facilities in PA, TN, IL, TX, AL, LA, KS, and RI.



asc-es.com

Building connections that last™

FC-DS-Series-20B-v03 20231204

