

Building connections that last™



22B QVA

Two-Piece Bronze Ball Valve Datasheet



Two-Piece Bronze Ball Valve 22B QVA



Features

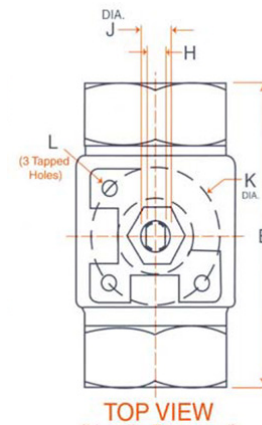
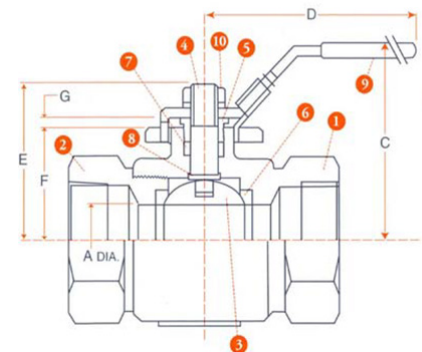
- Cast Heavy Wall Bronze Bodies
- Full Port 1/4" -1" Sizes
- 600 WOG Pressure Rating - All Sizes
- 250 PSIG Saturated Steam Rating
- 316 Stainless Steel Ball and Stem Available
- Locking Handles Available in Carbon and Stainless Steel
- 22-BS includes 316SS Ball and Stem and 304SS Handle and Nut
- ISO 5211 Tapped Mounting Pads

Ratings

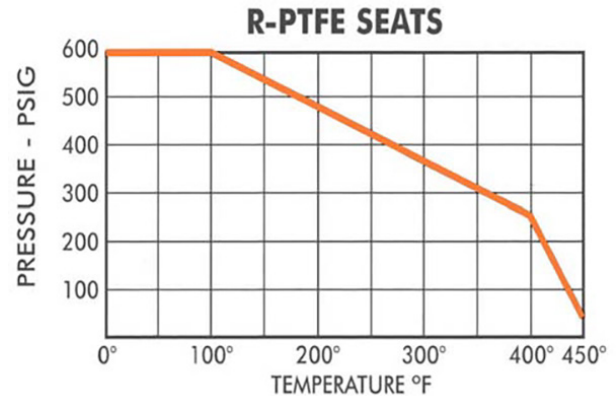
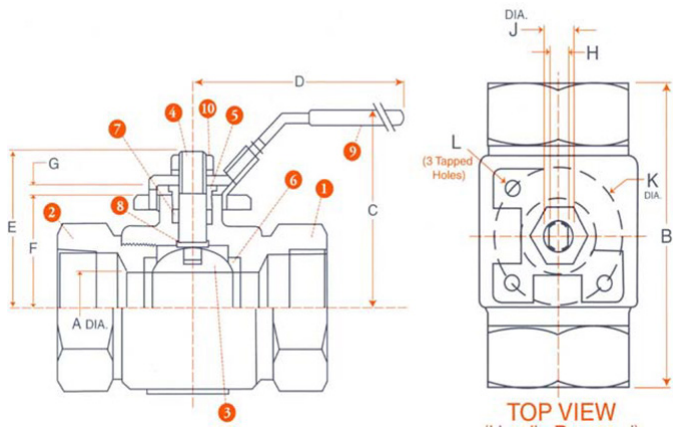
600 PSIG @100°F Water, Oil, Gas
250 PSIG SAT. Steam

Materials of Construction

Part	Description	22-BP	22-BS
1	Body	Bronze B584 C84400	Bronze B584 C84400
2	Tailpiece	Brass B124 C37700	Brass B124 C37700
3	Ball	Brass Chrome Plated	ASTM A276 Gr. 316SS
4	Stem	Brass B16 C36000	ASTM A276 Gr. 316SS
5	Packing Nut	Brass B16 C36000	Brass B16 C36000
6	Seats (2)	TFM	TFM
7	Packing	Graphite	Graphite
8	Thrust Washer	R-PTFE	R-PTFE
9	Handle Assy	Carbon Steel - Zinc Plate	304 Stainless Steel
10	Handle Nut	Carbon Steel - Zinc Plate	304 Stainless Steel



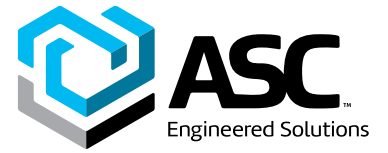
Two-Piece Bronze Ball Valve 22B QVA



Dimensions, Weights, Cv Factors & Maximum Operating Torque

Size	A	B	C	D	E	F	G	H	J	K DIA	L (3 TAPPED HOLES)	ISO Pattern	Weight Lbs.	CV	Max Torque
¼ - ⅜"	0.38	2.0	1.9	4.0	1.3	.7	0.35	0.20	0.31	1.42	¼"-20UNC	F03	0.7	9	60 IN-LB
½"	0.50	2.4	1.9	4.0	1.6	.8	0.35	0.20	0.31	1.42	¼"-20UNC	F03	0.9	16	70 IN-LB
¾"	0.75	2.9	2.2	4.8	2.1	1.0	0.43	0.28	0.44	1.65	¼"-20UNC	F04	2.2	35	100 IN-LB
1"	1.0	3.4	2.5	4.8	2.2	1.3	0.40	0.28	0.44	1.65	¼"-20UNC	F04	2.4	60	160 IN-LB
1-¼"	1.0	4.0	2.7	4.8	2.6	1.4	0.45	0.35	0.56	1.97	¼"-20UNC	F05	2.6	52	200 IN-LB
1-½"	1.25	4.3	3.1	6.9	2.8	1.7	0.45	0.35	0.56	1.97	¼"-20UNC	F05	3.6	80	250 IN-LB
2"	1.5	4.6	3.3	6.9	3.1	1.9	0.47	0.35	0.56	1.97	¼"-20UNC	F05	5.6	115	370 IN-LB
2-½"	2.0	5.9	3.6	6.9	3.3	2.2	0.47	0.35	0.56	1.97	¼"-20UNC	F05	9.0	265	440 IN-LB
3"	2.5	7.1	4.5	7.9	4.1	2.8	0.49	0.47	0.75	2.76	⅝"-20UNC	F07	16.0	420	500 IN-LB
4"	3.0	7.5	4.8	7.9	4.4	3.1	0.49	0.47	0.75	2.76	⅝"-20UNC	F07	17.0	500	580 IN-LB

Two-Piece Bronze Ball Valve 22B QVA



Numbering System How to order 22B QVA

22	F	B	P	R	R	LH	TT	050
Series	Port Size	Body Material	Ball/Stem Material	Seat Material	Seal Material	Handle Type	Ends	Size
22 2 Piece	F Full (1/4"-1")	B Bronze	P Plated Brass	R TFM (R-PTFE)	G Graphite	LH CS Lever	TT FNPT	025 1/4"
	R Reduced (1- 1/4" - 2")		S 316 Stainless	V Virgin PTFE	R R-PTFE	LL CS Latch Lock	MT MxF NPT	038 3/8"
				U UHMW	V Virgin PTFE	SL Stainless Latch Lock		
					U UHMW	TH Tee Handle		075 3/4"
						CO CS Oval		100 1"
						LO Locking Stainless Oval		125 1 - 1/4"
						XH Extended Handle		150 1 - 1/2"
						BS Balancing Stop Handle		200 2"
								250 2 - 1/2"
								300 3"
								400 4"

About ASC Engineered Solutions

ASC Engineered Solutions is defined by quality—in its products, services and support. With more than 1,400 employees, the company's portfolio of precision-engineered piping support, valves and connections provides products to more than 4,000 customers across industries, such as mechanical, industrial, fire protection, oil and gas, and commercial and residential construction. Its portfolio of leading brands includes ABZ Valve®, AFCON®, Anvil®, Anvil EPS, Anvil Services, Basic-PSA, Beck®, Catawissa, Cooplet®, FlexHead®, FPPI®, Gruklok®, J.B. Smith, Merit®, North Alabama Pipe, Quadrant®, SCI®, Sharpe®, SlideLOK®, SPF® and SprinkFLEX®. With headquarters in Commerce, CA, and Exeter, NH, ASC also has ISO 9001:2015 certified production facilities in PA, TN, IL, TX, AL, LA, KS, and RI.



asc-es.com

Building connections that last™

FC-DS-22B QVA-v01 20210519

