

Building connections that last™



23 QVA

Two-Piece Carbon Steel Ball Valve Datasheet



Two-Piece Carbon Steel Ball Valve 23 QVA



Features

- AISI 1017 Carbon Steel Bodies and Tailpieces
- 3000 WOG Rating on All Sizes, 1/4" to 1"
- 150 PSIG Saturated Steam Rating
- All Models are NACE MR-01-75 Compliant
- 316 Stainless Steel Ball and Stem Standard
- "Live Loaded" Stem Packing Design
- "Tamperproof" Locking Handles Available In Carbon and Stainless Steel
- PEEK Seats Available

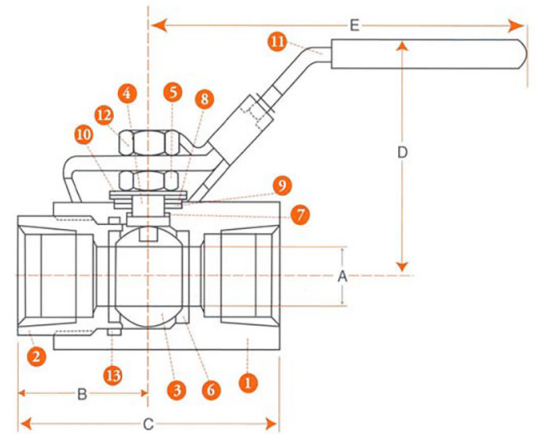
Ratings

3000 PSIG @ 100°F Water, Oil, Gas

All Sizes - 150 PSIG Saturated Steam

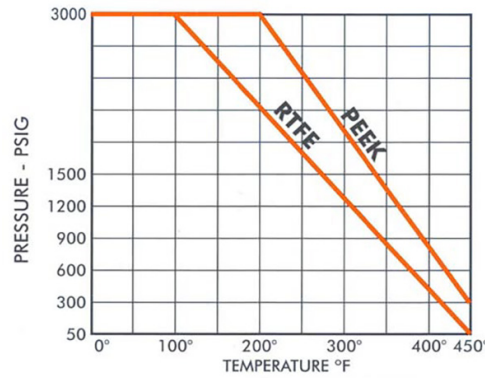
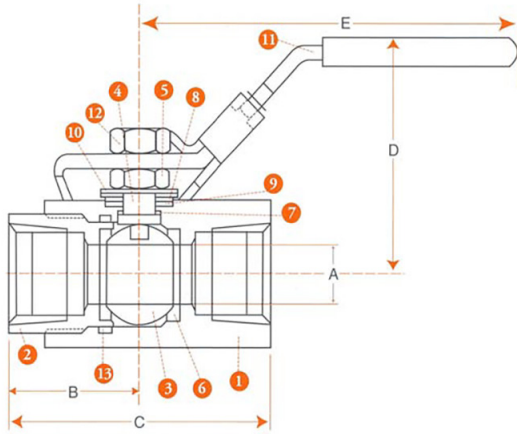
Materials of Construction

Part	Description	Standard Material	Optional Material(s)
1	Body	AISI Gr. 1017	
2	Tailpiece	AISI Gr. 1017	
3	Ball	ASTM A276 Gr. 316SS	
4	Stem	ASTM A276 Gr. 316SS	
5	Packing Nut	Carbon Steel-Plated	
6	Seats (2)	HOSTAFILON	PEEK
7	Packing	R-PTFE	
8	Washer	ASTM A276 Gr. 304SS	
9	Thrust Washer (2)	TFE	
10	Belleville Washer	Carbon Steel - HT	
11	Handle Assy	Carbon Steel-Plated	304 Stainless Steel
12	Handle Nut	Carbon Steel-Plated	304 Stainless Steel
13	Body Seal	R-PTFE	



Two-Piece Carbon Steel Ball Valve

23 QVA



Dimensions, Weights, Cv Factors & Maximum Operating Torque

Size	A	B	C	D	E	Weight Lbs.	CV	Max Torque
1/4 - 3/8"	0.40	1.0	2.0	1.7	4.2	0.6	9	40 IN-LB
1/2"	0.54	1.1	2.3	1.7	4.2	0.75	16	75 IN-LB
3/4"	0.68	1.4	2.8	2.1	5.9	1.6	27	120 IN-LB
1"	0.88	1.6	3.2	2.3	5.9	2.4	42	150 IN-LB

Numbering System How to order 23 QVA

23	R	C	S	R	R	LH	TT	100
Series	Port Size	Body Material	Ball/Stem Material	Seat Material	Seal Material	Handle Type	Ends	Size
23 2 Piece 3000 WOG	F Full (1/4"-1/2")	C Carbon	S 316 Stainless	R R-PTFE	R R-PTFE	LH CS Lever	TT FNPT	025 1/4"
	R Reduced (3/4" - 1")			P PEEK		LL CS Latch Lock		MT MxF NPT
						SH Stainless Lever	050 1/2"	
						SL Stainless Latch Lock	075 3/4"	
								100 1"

About ASC Engineered Solutions

ASC Engineered Solutions is defined by quality—in its products, services and support. With more than 1,400 employees, the company's portfolio of precision-engineered piping support, valves and connections provides products to more than 4,000 customers across industries, such as mechanical, industrial, fire protection, oil and gas, and commercial and residential construction. Its portfolio of leading brands includes ABZ Valve®, AFCON®, Anvil®, Anvil EPS, Anvil Services, Basic-PSA, Beck®, Catawissa, Cooplet®, FlexHead®, FPPI®, Grevlok®, J.B. Smith, Merit®, North Alabama Pipe, Quadrant®, SCI®, Sharpe®, SlideLOK®, SPF® and SprinkFLEX®. With headquarters in Commerce, CA, and Exeter, NH, ASC also has ISO 9001:2015 certified production facilities in PA, TN, IL, TX, AL, LA, KS, and RI.



asc-es.com

Building connections that last™

FC-DS-23 QVA-v01 20210520

