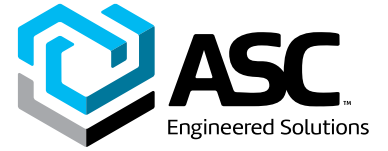


Building connections that last™

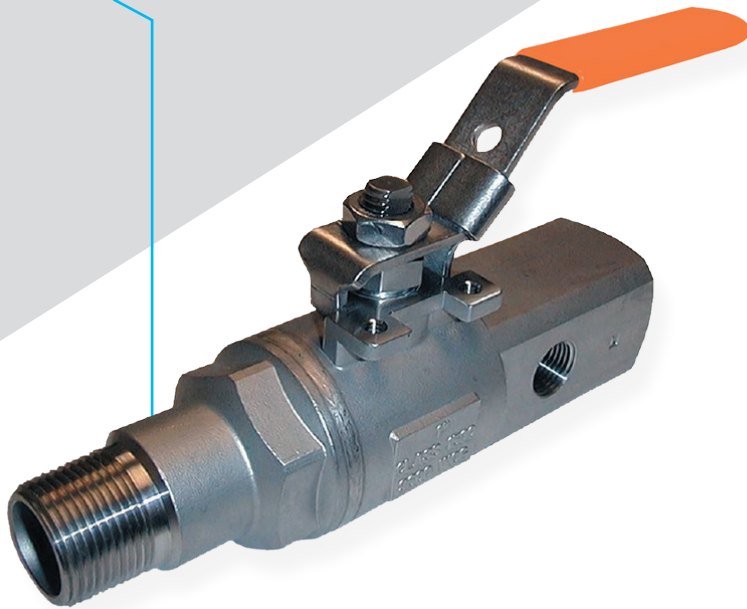
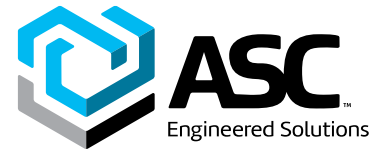


Series G3

ASME Class 1500, Seal Welded
Ball-Type Gauge Valve Datasheet



ASME Class 1500, Seal Welded Ball-Type Gauge Valves Series G3



Features

- Seal Welded Construction
- Full Port Design (2" is Reduced Port)
- Fully Compliant to ASME B16.34, Class 1500
- Standard PEEK Seat
- 316 Ball and Stem Standard
- Male NPT x Female NPT End Connections
- Male Inlet: ½" to 1" is Schedule 80 Pipe I.D.; 1-½" & 2" is Schedule 160 Pipe I.D.
- (2) ½" NPT Gauge Ports on Outlet Side
- Fully Compliant to API 608, Class 150
- Standard 304 SS Latch-Lock Handles
- Standard ISO 5211 Mounting Pads
- Quadrant valves, actuators, controls, and accessories are designed to work together, delivering exceptional performance.

Ratings

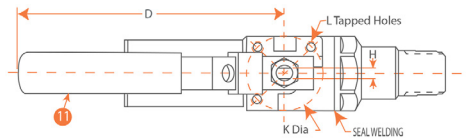
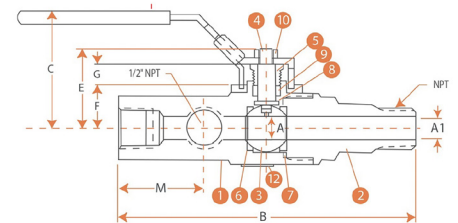
3600 PSIG @ 100°F
(Stainless Steel, Cast A351 CF8M)

3705 PSIG @ 100°F
(Carbon Steel, Cast A216 WCB)

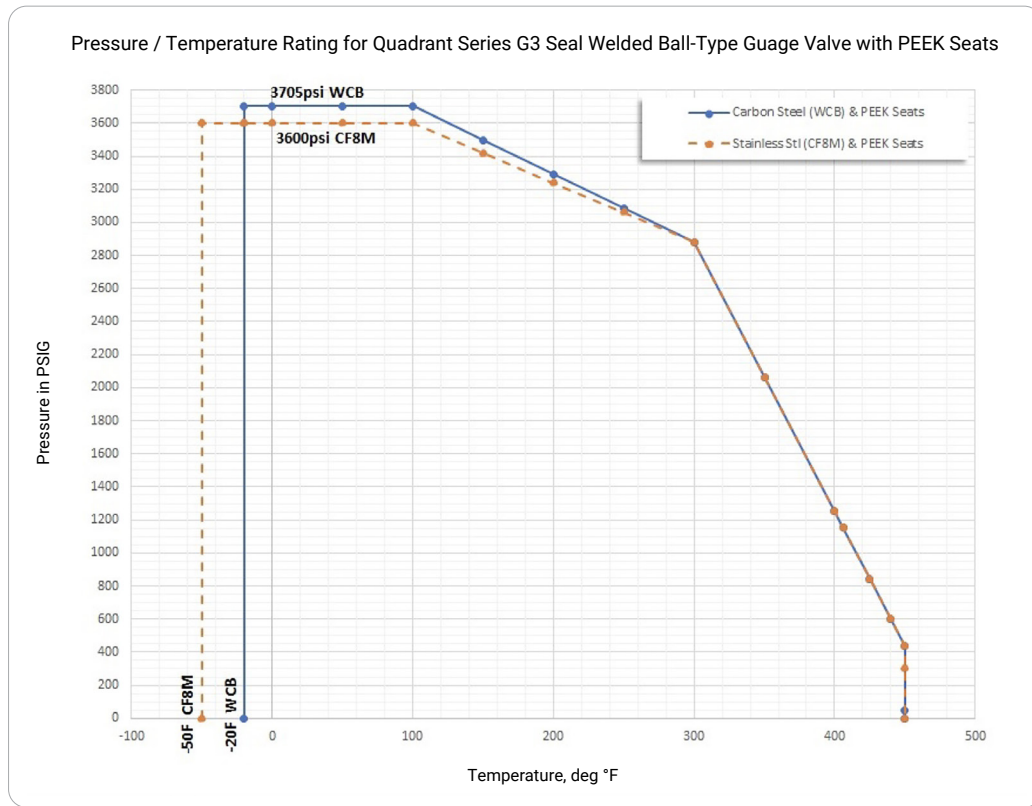
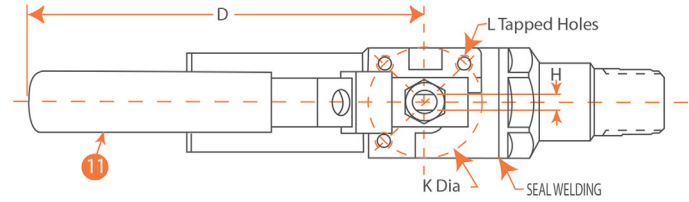
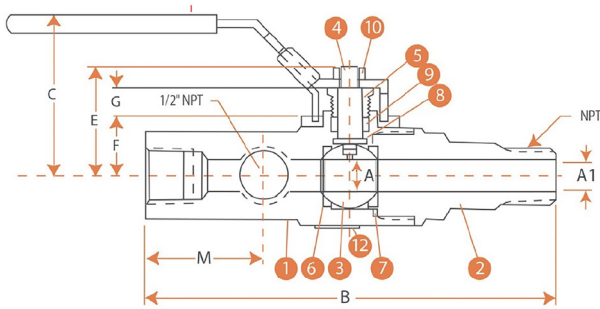
250 PSIG Saturated Steam

Materials of Construction

Part	Description	Standard Material
1	Body	CF8M or WCB
2	Tailpiece	CF8M or WCB
3	Ball	ASTM A276 316 SS
4	Stem	316 SS (½" to 1") 17-4PH SS (1-½" & 2")
5	Packing Nut	ASTM A276 316 SS
6	Seats (2)	PEEK
7	Tailpiece Seal	Graphite
8	Thrust Washer	PEEK
9	Stem Packing	Graphite
10	Handle Nut	304 SS
11	Handle Assy	304 SS
12	Name Plate	300 SS



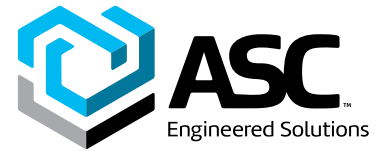
ASME Class 1500, Seal Welded Ball-Type Gauge Valves Series G3



Dimensions, Weights, Cv Factors & Maximum Operating Torque

Size	A (Port)	A1	B	C	D	E	F	G	H	J (Stem DIA)	K	L (3 Tapped Holes)	M	ISO Pattern	Weight Lbs.	Cv	Max Torque PEEK (lbf-in)
½"	0.50	0.50	6.01	2.39	4.94	1.62	0.89	0.33	0.20	0.31	1.42	¼"-20 UNC	1.57	F03	1.9	16	80
¾"	0.75	0.74	7.20	2.96	5.57	2.21	1.29	0.41	0.28	0.44	1.65	¼"-20 UNC	1.75	F04	3.7	32	230
1"	0.98	0.96	5.50	3.67	7.20	2.76	1.61	0.44	0.35	0.56	1.97	¼"-20 UNC	2.00	F05	6.4	62	255
1-½"	1.50	1.50	9.43	4.77	13.86	3.87	2.50	0.50	0.39	0.62	2.76	⅝"-18 UNC	2.00	F07	15.4	140	600
2"	1.50	1.50	9.84	4.77	13.86	3.87	2.50	0.50	0.39	0.62	2.76	⅝"-18 UNC	2.36	F07	17.3	120	600

ASME Class 1500, Seal Welded
Ball-Type Gauge Valves
Series G3



Numbering System How to order Series G3

G3	F	S	S	P	G	SL	MT	100
Series	Port Size	Body Material	Ball/Stem Material	Seat Material	Seal Material	Handle Type	Ends	Size
G3 ASME Class 1500 (3600 PSI CWP)	R Reduced (2" Size)	S Stainless Steel (cast A351 CF8M)	S 316 SS ball	P PEEK	G Graphite	SL Stainless Latch Lock	MT Male NPT X Female NPT	050 ½" (F Port)
	F Full (½" to 1-½")					LO Locking SS Oval		075 ¾" (F Port)
		C Carbon Steel (cast A216 WCB)	S 316 SS Stem (½" to 1"); 17-4 PH SS Stem (1-½" & 2")			SR Spring Return (deadman) Handle		100 1" (F Port)
				PA Double Acting Pneumatic		125 1-¼" (F Port)		
						SA Spring Return Pneumatic		150 1-½" (F Port)
						EA 115VAC Electric Actuated		200 2" (R Port)

Note:
Responsibility for proper selection, use and maintenance of any product remains solely with the purchaser and end user. We reserve the right to modify or improve the designs or specifications of any product at any time without notice.



About ASC Engineered Solutions

ASC Engineered Solutions is defined by quality—in its products, services and support. With nearly 2,000 employees, the company's portfolio of precision-engineered piping support, valves and connections provides products to more than 4,000 customers across industries, such as mechanical, industrial, fire protection, oil and gas, and commercial and residential construction. Its portfolio of leading brands includes ABZ Valve®, AFCON®, Anvil®, Anvil EPS, Anvil Services, Basic-PSA, Beck®, Catawissa, Cooplet®, FlexHead®, FPPI®, Gruvlok®, J.B. Smith, Merit®, North Alabama Pipe, Quadrant®, SCI®, Sharpe®, SlideLOK®, SPF®, SprinkFLEX®, Trenton Pipe and VEP. With headquarters in Oak Brook, IL, ASC also has ISO 9001:2015 certified production facilities in PA, TN, IL, TX, AL, LA, KS, and RI.



asc-es.com

Building connections that last™

