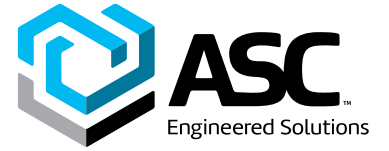


Building connections that last™



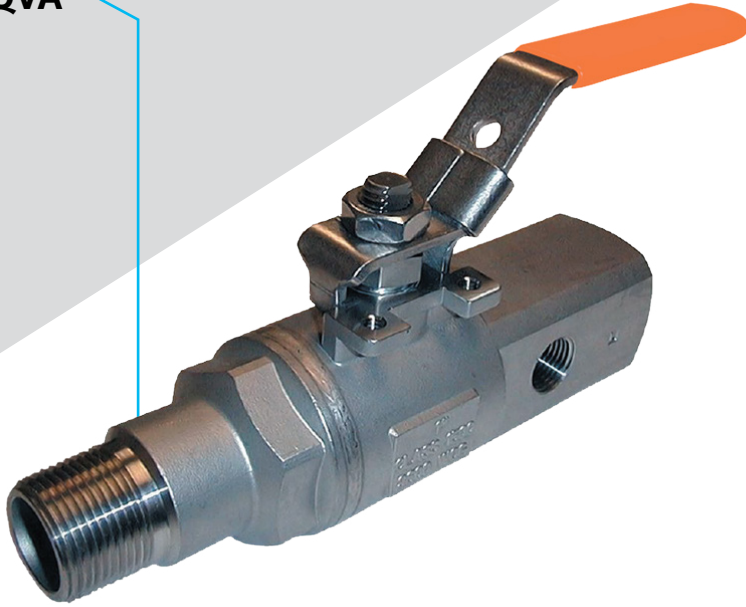
# G3 QVA

Seal Welded High Pressure  
Ball-Type Gauge Valves  
Datasheet



# Seal Welded High Pressure Ball-Type Gauge Valves

## G3 QVA



### Features

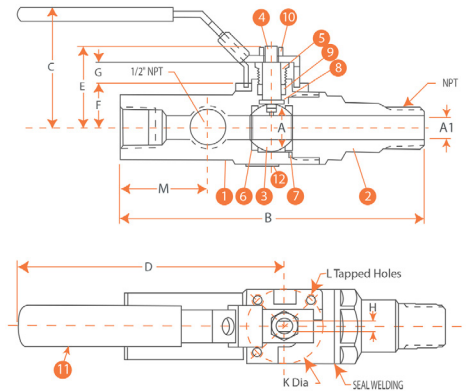
- Seal Welded Construction
- Full Port Design (Reduced Port on 2")
- Male Inlet has Schedule 80 Pipe I.D. on 1/2" to 1" sizes; Schedule 160 Pipe I.D. on 1-1/2" & 2" sizes
- 316 Ball and Stem Standard
- Fully Compliant to ASME B16.34, Class 1500
- Fully Compliant to API 608, Class 1500
- NACE MR01-75 Compliant
- Standard ISO 5211 Mounting Pads
- Standard 304SS Latch-Lock Handles
- (2) 1/2" NPT Gauge Ports on Outlet Side
- Standard PEEK Seats
- API 607 4th Edition Fire Safe
- 3600 PSIG Rating (CF8M);  
3705 PSIG Rating (WCB)

### Ratings

3600 PSIG @ 100°F Water, Oil, Gas (CF8M)

3705 PSIG @ 100°F Water, Oil, Gas (WCB)

250 PSIG Saturated Steam

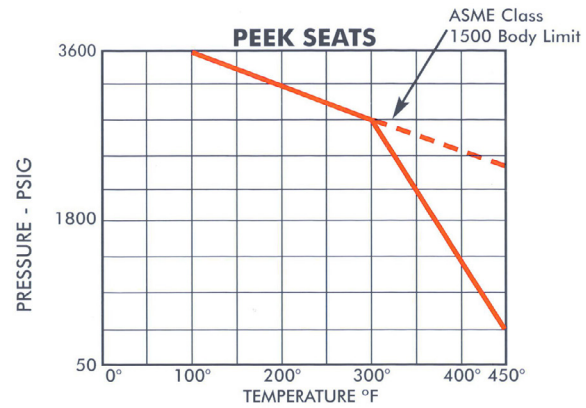
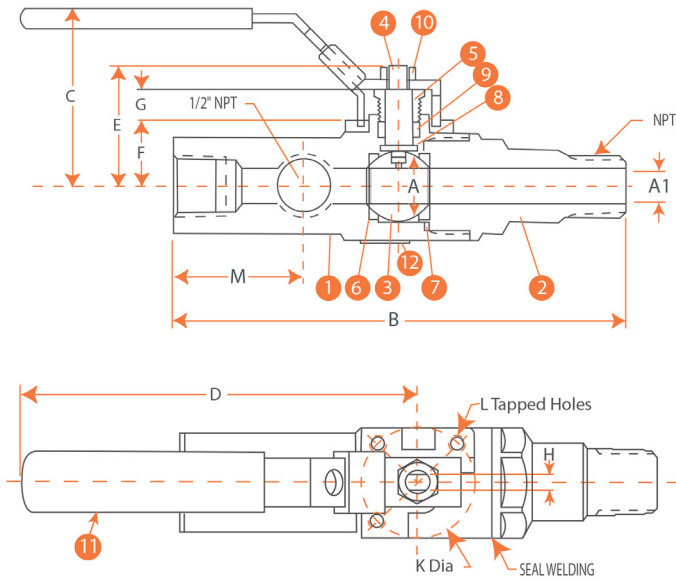


### Materials of Construction

Part	Description	Standard Material
1	Body	CF8M or WCB
2	Tailpiece	CF8M or WCB
3	Ball	ASTM A276 GR. 316 SS
4	Stem	316SS or 17-4PH (1-1/2-2")
5	Packing Nut	ASTM A276 GR. 316 SS
6	Seats (2)	PEEK
7	Tailpiece Seal	Graphite
8	Thrust Washer	PEEK
9	Stem Packing	Graphite
10	Handle Nut	304 SS
11	Handle Assy	304 SS
12	Name Plate	300 SS

# Seal Welded High Pressure Ball-Type Gauge Valves

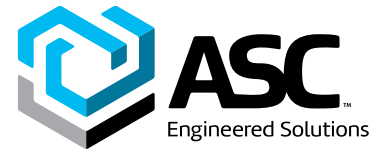
## G3 QVA



### Dimensions, Weights, Cv Factors & Maximum Operating Torque

Size	A	A1	B	C	D	E	F	G	H	J (STEM DIA)	K	L (3 TAPPED HOLES)	M	ISO Pattern	Weight Lbs.	CV	Max Torque (IN-LBS)
1/2"	0.50	0.50	6.0	2.3	5.0	1.62	0.89	0.33	0.20	0.31	1.42	1/4"-20 UNC	1.75	F03	1.8	16	140
3/4"	0.75	0.74	7.2	2.9	5.8	2.21	1.29	0.41	0.28	0.43	1.65	1/4"-20 UNC	1.75	F04	3.7	32	270
1"	1.00	0.96	8.5	3.5	7.4	2.80	1.65	0.43	0.35	0.56	1.97	1/4"-20 UNC	2.00	F05	6.6	62	700
1-1/2"	1.50	1.34	9.5	4.5	13.9	3.87	2.51	0.49	0.39	0.62	2.76	5/16"-18 UNC	2.00	F07	14.5	140	1200
2"	1.50	1.69	9.9	4.5	13.9	3.87	2.51	0.49	0.39	0.62	2.76	5/16"-18 UNC	2.36	F07	15.5	120	1200

# Seal Welded High Pressure Ball-Type Gauge Valves G3 QVA



## Numbering System How to order G3 QVA

<b>G3</b>	<b>F</b>	<b>S</b>	<b>S</b>	<b>P</b>	<b>G</b>	<b>SL</b>	<b>TT</b>	<b>100</b>
Series	Port Size	Body Material	Ball/Stem Material	Seat Material	Seal Material	Handle Type	Ends	Size
G3 Seal Welded 3600 WOG	R Reduced	S Stainless (CF8M)	S 316 Stainless	P PEEK	G Graphite	SL Stainless Latch Lock	MT Male NPT X Female NPT	050 1/2"
	F Full (2" Size)	C Carbon (WCB)				PA Double Acting Pneumatic		075 3/4"
						SA Spring Return Pneumatic		100 1"
						SR Deadman Handle		125 1-1/4"
						EA 115VAC Electric Actuated		150 1-1/2"
								200 2"

### **About ASC Engineered Solutions**

ASC Engineered Solutions is defined by quality—in its products, services and support. With more than 1,400 employees, the company's portfolio of precision-engineered piping support, valves and connections provides products to more than 4,000 customers across industries, such as mechanical, industrial, fire protection, oil and gas, and commercial and residential construction. Its portfolio of leading brands includes ABZ Valve®, AFCON®, Anvil®, Anvil EPS, Anvil Services, Basic-PSA, Beck®, Catawissa, Cooplet®, FlexHead®, FPPI®, Gruklok®, J.B. Smith, Merit®, North Alabama Pipe, Quadrant®, SCI®, Sharpe®, SlideLOK®, SPF® and SprinkFLEX®. With headquarters in Commerce, CA, and Exeter, NH, ASC also has ISO 9001:2015 certified production facilities in PA, TN, IL, TX, AL, LA, KS, and RI.



[asc-es.com](http://asc-es.com)

Building connections that last™

FC-DS-G3 QVA-v01 20210604

