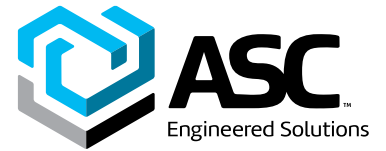


Building connections that last™



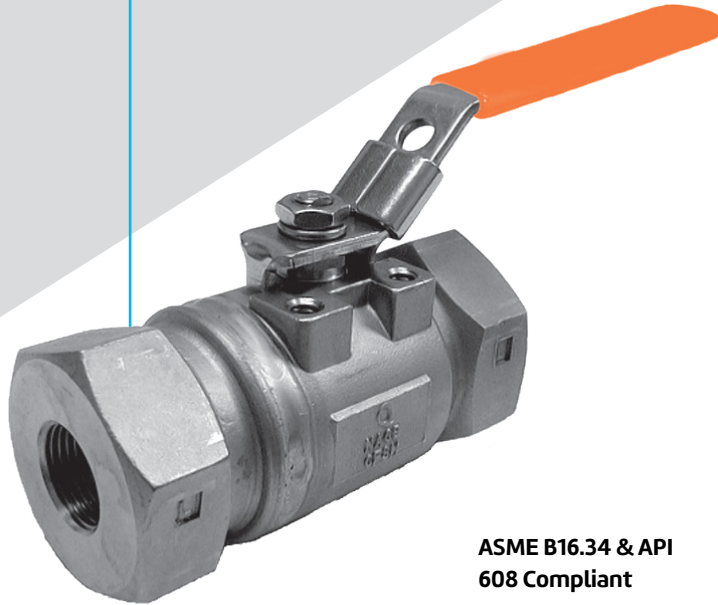
S10 QVA

Seal Welded Extreme
Pressure Ball Valves
Datasheet



Seal Welded Extreme Pressure Ball Valves

S10 QVA



ASME B16.34 & API 608 Compliant

Features

- Seal Welded Construction
- All Stainless Construction
- 10,800 WOG Rating (CF8M)
- Fully Compliant with ASME B16.34 Class 4500
- PEEK Seats and Graphite Seals Standard
- All Models Comply with NACE MR0175
- 304SS Locking Handles
- Meets all Requirements of API 608
- API 607 Fire Safe
- ISO Mounting Pads
- Available in NPT, Socket Weld, or MxN NPT

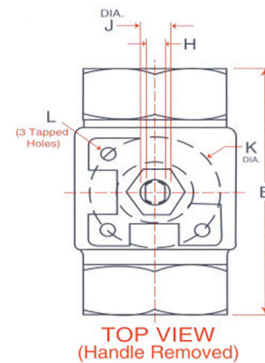
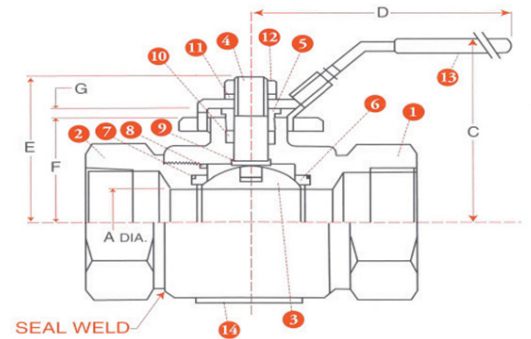
Ratings

10,800 PSIG @100°F Water, Oil Gas

250 PSIG Saturated Steam (PEEK Seats)

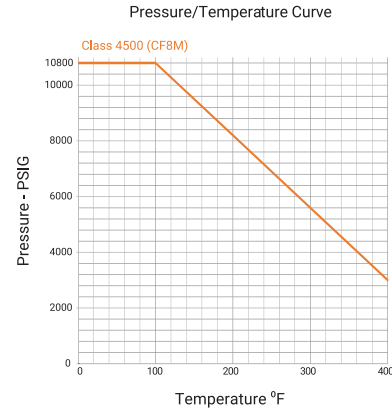
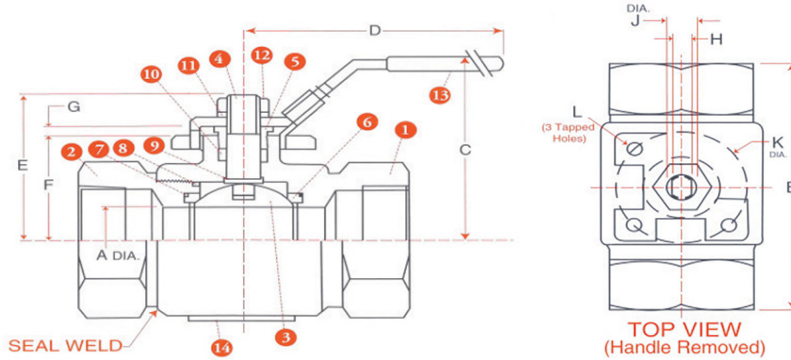
Materials of Construction

Part	Description	Standard Material
1	Body	ASTM A351 GR. CF8M
2	Tailpiece	ASTM A351 GR. CF8M
3	Ball	ASTM A276 GR. 316 SS
4	Stem	17-4PH SS
5	Packing Nut	ASTM A276 GR. 316 SS
6	Seats (2)	PEEK
7	Seat Seal (2)	Viton
8	Tailpiece Seal	Graphite
9	Thrust Washer	PEEK
10	Stem Packing	Graphite
11	Lock Washer	304 SS
12	Handle Nut	304 SS
13	Handly Assy	300 SS
14	Name Plate	300 SS



Seal Welded Extreme Pressure Ball Valves

S10 QVA



Dimensions, Weights, Cv Factors & Maximum Operating Torque

Size	A (BORE)	B	C	D	E	F	G	H	J	K DIA	L (3 TAPPED HOLES)	ISO Pattern	Weight Lbs.	CV	Max Torque
1/4" FNPT	0.40	0.40	2.27	5.15	1.64	1.01	0.21	0.20	0.31	1.42	1/4" -20 UNC	F03	2.7	6	150 IN-LBS
3/8" FNPT	0.40	0.40	2.27	5.15	1.64	1.01	0.21	0.20	0.31	1.42	1/4" -20 UNC	F03	2.7	10	150 IN-LBS
1/2" FNPT	0.40	0.40	2.27	5.15	1.64	1.01	0.21	0.20	0.31	1.42	1/4" -20 UNC	F03	2.6	14	150 IN-LBS
1/2" SW	0.40	0.40	2.27	5.15	1.64	1.01	0.21	0.20	0.31	1.42	1/4" -20 UNC	F03	2.6	14	150 IN-LBS

Numbering System How to order S10 QVA

S10	R	S	S	P	F	SL	TT	050
Series	Port Size	Body Material	Ball/Stem Material	Seat Material	Seal Material	Handle Type	Ends	Size
S10 Seal Welded 10,800 WOG	R Reduced	S Stainless (CF8M)	S 316 Stainless	P Peek	F Graphite	SL Stainless Latch Lock	TT FNPT	025 1/4"
						PA Double Acting Pneumatic	MT MxF NPT	038 3/8"
						SA Spring Return Pneumatic	WW Socket Weld	050 1/2"
						WT 115VAC Electric Actuated	WT Socket Weld x FNPT	

About ASC Engineered Solutions

ASC Engineered Solutions is defined by quality—in its products, services and support. With more than 1,400 employees, the company's portfolio of precision-engineered piping support, valves and connections provides products to more than 4,000 customers across industries, such as mechanical, industrial, fire protection, oil and gas, and commercial and residential construction. Its portfolio of leading brands includes ABZ Valve®, AFCON®, Anvil®, Anvil EPS, Anvil Services, Basic-PSA, Beck®, Catawissa, Cooplet®, FlexHead®, FPPI®, Golvlok®, J.B. Smith, Merit®, North Alabama Pipe, Quadrant®, SCI®, Sharpe®, SlideLOK®, SPF® and SprinkFLEX®. With headquarters in Commerce, CA, and Exeter, NH, ASC also has ISO 9001:2015 certified production facilities in PA, TN, IL, TX, AL, LA, KS, and RI.



asc-es.com

Building connections that last™

FC-DS-S10 QVA-v01 20210525

