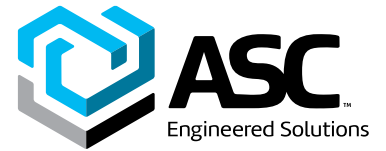


Building connections that last™



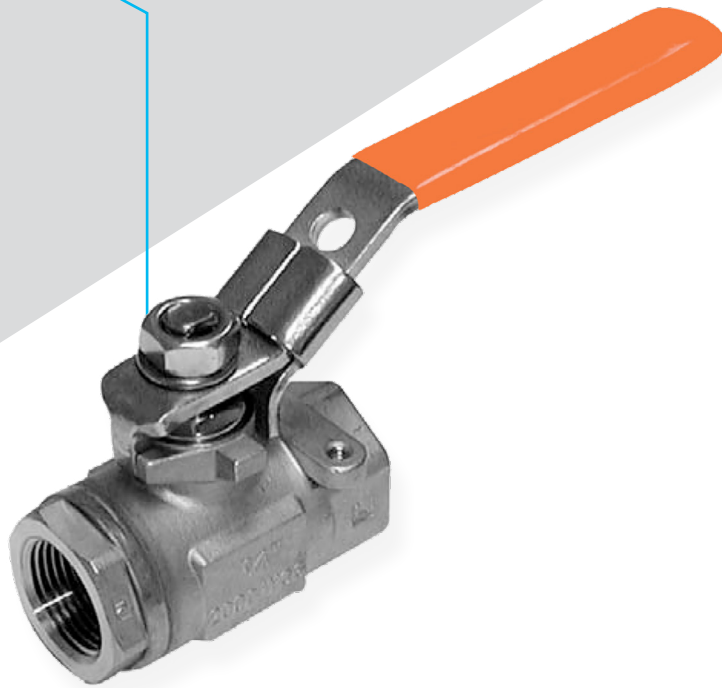
Series S2

Seal Welded, Ball Valve Datasheet

2000 PSI CWP, 1/4"-2"



Seal Welded, 2000 PSI CWP, Ball Valves Series S2



Features

- The Ultimate in Safe Design!
- Seal Welded Construction
- 2000 PSI CWP Rating on All Sizes
- 150 PSIG Saturated Steam Rating
- CF8M or WCB Bodies and Tailpieces, 316 Stainless Steel Internals
- Available in Male x Female Construction in 1/4"-1" Sizes
- Standard Stainless Steel Locking Handles
- Standard Actuator Mounting Pads on all Sizes
- Stainless Steel, Oval and Locking Oval Handles available
- Spring Return (deadman) Handles available

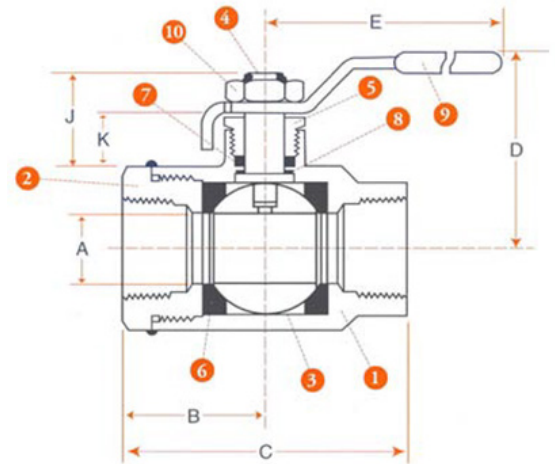
Ratings

2000 PSIG @100°F, non-shock
150 PSIG Saturated Steam

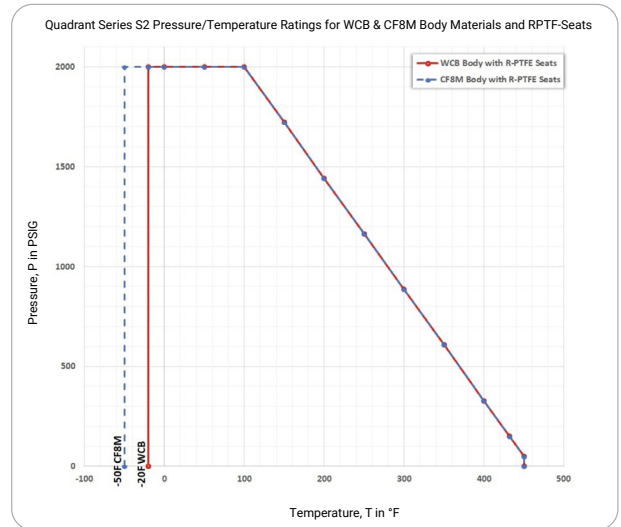
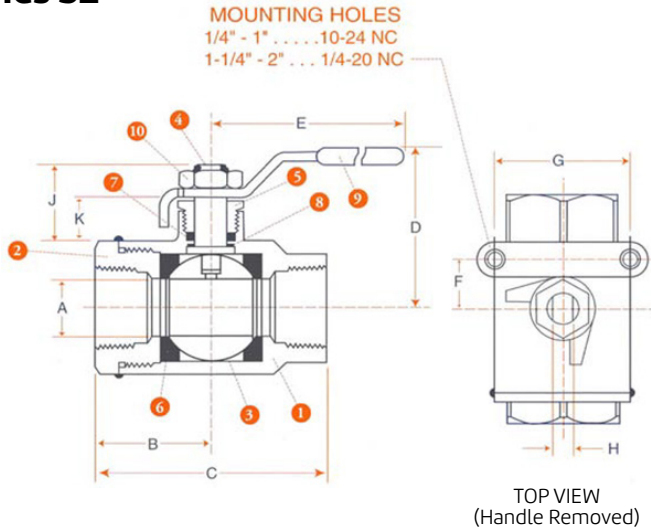
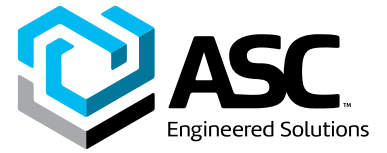
Materials of Construction

Part	Description	Standard Material	Optional Material(s)
1	Body	ASTM A351 CF8M or A216 WCB	
2	Tailpiece	ASTM A351 CF8M or A216 WCB	
3	Ball	ASTM A276 316	
4	Stem	ASTM A276 316	
5	Packing Nut	ASTM A276 316	
6	Seats (2)	R-PTFE (Glass Reinforced PTFE) *	
7	Packing	R-PTFE (Glass Reinforced PTFE) *	Graphite
8	Thrust Washer	R-PTFE (Glass Reinforced PTFE) *	
9	Handle Assy	Stainless Steel w/ Vinyl	
10	Handle Nut	Stainless Steel	

* Glass reinforced PTFE (R-PTFE).



Seal Welded, 2000 PSI CWP, Ball Valves Series S2



Dimensions, Weights, Cv Factors & Maximum Operating Torque

Size	A (Port)	B	C	D	E	F	G	H	J	K	Weight Lbs.	Cv	Max Torque R-PTFE
1/4" - 3/8"	0.37	1.0	2.1	1.8	4.3	0.50	1.12	0.20	0.85	0.51	0.50	9	35 IN-LB
1/2"	0.50	1.2	2.3	1.9	4.3	0.50	1.12	0.20	0.93	0.54	0.66	16	63 IN-LB
3/4"	0.69	1.3	2.8	2.5	5.8	0.87	1.38	0.28	1.31	0.71	1.32	27	100 IN-LB
1"	0.87	1.6	3.3	2.6	5.8	0.87	1.38	0.28	1.30	0.69	1.81	42	120 IN-LB
1-1/4"	1.0	1.8	3.6	2.8	7.7	0.93	1.50	0.35	1.48	0.78	2.51	52	210 IN-LB
1-1/2"	1.3	2.0	4.1	3.0	7.7	0.93	1.50	0.35	1.46	0.75	3.74	80	255 IN-LB
2"	1.5	2.3	4.7	3.3	7.7	0.93	1.50	0.35	1.43	0.76	5.53	115	270 IN-LB

Numbering System How to order Series S2

S2	R	S	S	R	R	SL	TT	100
Series	Port Size	Body Material	Ball/Stem Material	Seat Material	Seal Material	Handle Type	Ends	Size
S2 Seal Welded 2000 PSI CWP	F Full (1/4"-1/2")	S ASTM A351 Cast CF8M SS †	S 316 Stainless Steel	R R-PTFE	R R-PTFE	SL Stainless Latch Lock	TT FNPT	025 1/4" (F Port)
	R Reduced (3/4"-2")							C ASTM A216 Cast WCB Carbon Steel
						LO Stainless Locking Oval		050 1/2" (F Port)
						SR Spring Return (deadman) Handle		075 3/4" (R Port)
						PA Double Acting Pneumatic		100 1" (R Port)
						SA Spring Return Pneumatic		125 1-1/4" (R Port)
								150 1-1/2" (R Port)
								200 2" (R Port)

Note: Responsibility for proper selection, use and maintenance of any product remains solely with the purchaser and end user. We reserve the right to modify or improve the designs or specifications of any product at any time without notice.

About ASC Engineered Solutions

ASC Engineered Solutions is defined by quality—in its products, services and support. With nearly 2,000 employees, the company's portfolio of precision-engineered piping support, valves and connections provides products to more than 4,000 customers across industries, such as mechanical, industrial, fire protection, oil and gas, and commercial and residential construction. Its portfolio of leading brands includes ABZ Valve®, AFCON®, Anvil®, Anvil EPS, Anvil Services, Basic-PSA, Beck®, Catawissa, Cooplet®, FlexHead®, FPPI®, Gruvlok®, J.B. Smith, Merit®, North Alabama Pipe, Quadrant®, SCI®, Sharpe®, SlideLOK®, SPF®, SprinkFLEX®, Trenton Pipe and VEP. With headquarters in Oak Brook, IL, ASC also has ISO 9001:2015 certified production facilities in PA, TN, IL, TX, AL, LA, KS, and RI.



asc-es.com

Building connections that last™

