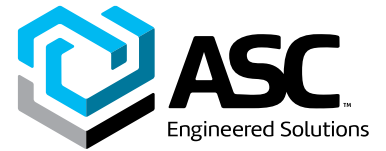


Building connections that last™

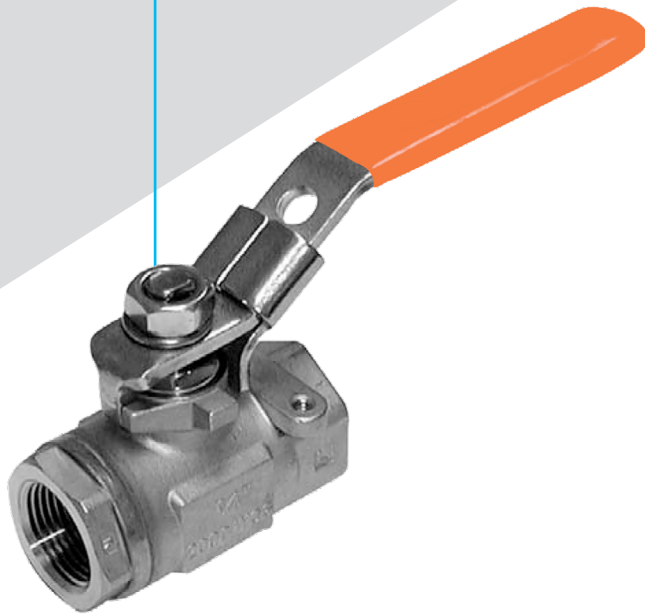


# Series S2

Seal Welded, 2000 PSI  
Ball Valve Datasheet



# Seal Welded, 2000 PSI Ball Valves Series S2



## Features

- Seal Welded Construction
- 2000 PSI CWP Rating on All Sizes
- 150 PSIG Saturated Steam Rating
- CF8M or WCB Bodies and Tailpieces, 316 Stainless Steel Internals
- Available in Full, Alloy-20 (CN7M) Construction
- Available in Male x Female Construction in 1/4"-1" Sizes
- Standard Actuator Mounting Pads on all Sizes
- Standard Stainless Steel Locking Handles
- Locking Oval Handles Available in Stainless Steel
- The Ultimate in Safe Design!

## Ratings

2000 PSIG @100°F

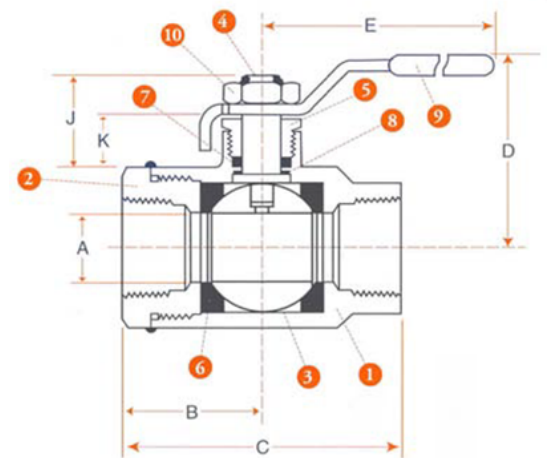
150 PSIG Saturated Steam

## Materials of Construction

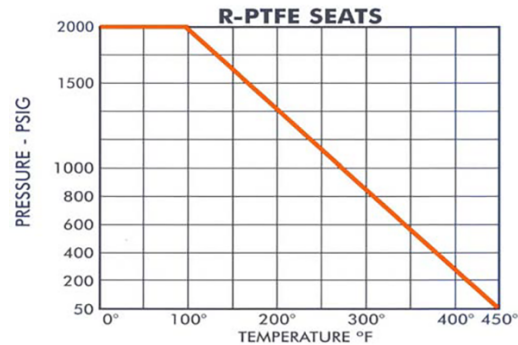
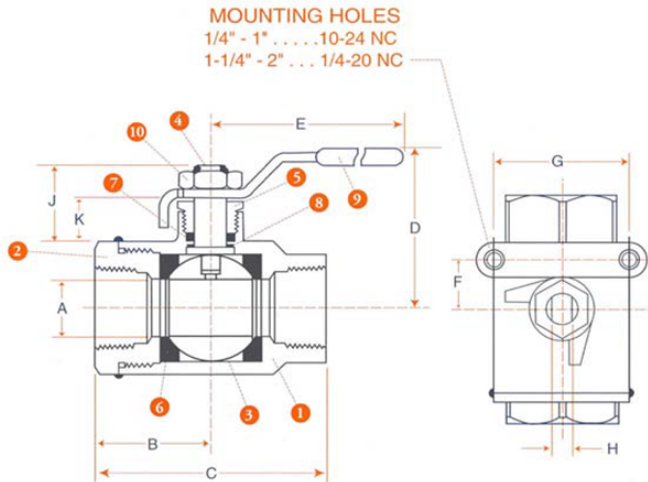
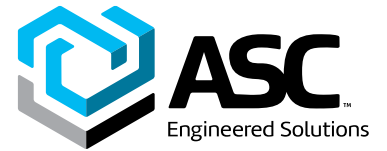
Part	Description	Standard Material	Optional Material(s)
1	Body	ASTM A351 Cast CF8M Stainless Steel † or ASTM A216 Cast WCB Carbon Steel	
2	Tailpiece	ASTM A351 Cast CF8M Stainless Steel † or ASTM A216 Cast WCB Carbon Steel	
3	Ball	ASTM A276 316 SS	
4	Stem	ASTM A276 316 SS	
5	Packing Nut	ASTM A276 316 SS	
6	Seats (2)	R-PTFE *	
7	Packing	R-PTFE *	Graphite
8	Thrust Washer	R-PTFE *	
9	Handle Assy	Stainless Steel w/ Vinyl	Stainless Locking Oval
10	Handle Nut	Stainless Steel	

† CF8M. Closest cast equivalent to wrought 316 SS.

\* Glass reinforced PTFE (R-PTFE)



# Seal Welded, 2000 PSI Ball Valves Series S2



## Dimensions, Weights, Cv Factors & Maximum Operating Torque

Size	A (Port)	B	C	D	E	F	G	H	J	K	Weight Lbs.	Cv	Max Torque
1/4"-3/8"	0.37	1.0	2.1	1.8	4.3	0.50	1.12	0.20	0.85	0.51	0.50	9	35 IN-LB
1/2"	0.50	1.2	2.3	1.9	4.3	0.50	1.12	0.20	0.93	0.54	0.66	16	63 IN-LB
3/4"	0.69	1.3	2.8	2.5	5.8	0.87	1.38	0.28	1.31	0.71	1.32	27	100 IN-LB
1"	0.87	1.6	3.3	2.6	5.8	0.87	1.38	0.28	1.30	0.69	1.81	42	120 IN-LB
1-1/4"	1.0	1.8	3.6	2.8	7.7	0.93	1.50	0.35	1.48	0.78	2.51	52	210 IN-LB
1-1/2"	1.3	2.0	4.1	3.0	7.7	0.93	1.50	0.35	1.46	0.75	3.74	80	255 IN-LB
2"	1.5	2.3	4.7	3.3	7.7	0.93	1.50	0.35	1.43	0.76	5.53	115	270 IN-LB

## Numbering System How to order Series S2

S2	R	S	S	R	R	SL	TT	100
Series	Port Size	Body Material	Ball/Stem Material	Seat Material	Seal Material	Handle Type	Ends	Size
S2 Seal Welded 2000 PSI CWP	F Full (1/4"-1/2")	S ASTM A351 Cast CF8M SS †	S 316 Stainless Steel	R R-PTFE	R R-PTFE	SL Stainless Latch Lock	TT FNPT	025 1/4" (F Port)
	R Reduced (3/4"-2")					C ASTM A216 Cast WCB Carbon Steel	G Graphite	MT MxF NPT
					SO Stainless Oval		050 1/2" (F Port)	
					LO Stainless Locking Oval		075 3/4" (R Port)	
					PA Double Acting Pneumatic		100 1" (R Port)	
					SA Spring Return Pneumatic		125 1-1/4" (R Port)	
					SR Deadman Handle		150 1-1/2" (R Port)	
							200 2" (R Port)	

**Note:**  
Responsibility for proper selection, use and maintenance of any product remains solely with the purchaser and end user. We reserve the right to modify or improve the designs or specifications of any product at any time without notice.

### **About ASC Engineered Solutions**

ASC Engineered Solutions is defined by quality—in its products, services and support. With more than 1,400 employees, the company's portfolio of precision-engineered piping support, valves and connections provides products to more than 4,000 customers across industries, such as mechanical, industrial, fire protection, oil and gas, and commercial and residential construction. Its portfolio of leading brands includes ABZ Valve®, AFCON®, Anvil®, Anvil EPS, Anvil Services, Basic-PSA, Beck®, Catawissa, Cooplet®, FlexHead®, FPPI®, Grevlok®, J.B. Smith, Merit®, North Alabama Pipe, Quadrant®, SCI®, Sharpe®, SlideLOK®, SPF® and SprinkFLEX®. With headquarters in Commerce, CA, and Exeter, NH, ASC also has ISO 9001:2015 certified production facilities in PA, TN, IL, TX, AL, LA, KS, and RI.



[asc-es.com](http://asc-es.com)

Building connections that last™

FC-DS-Series-S2-v02 2023012

