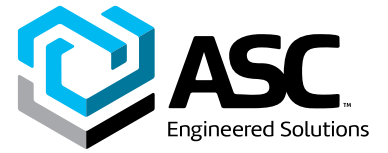
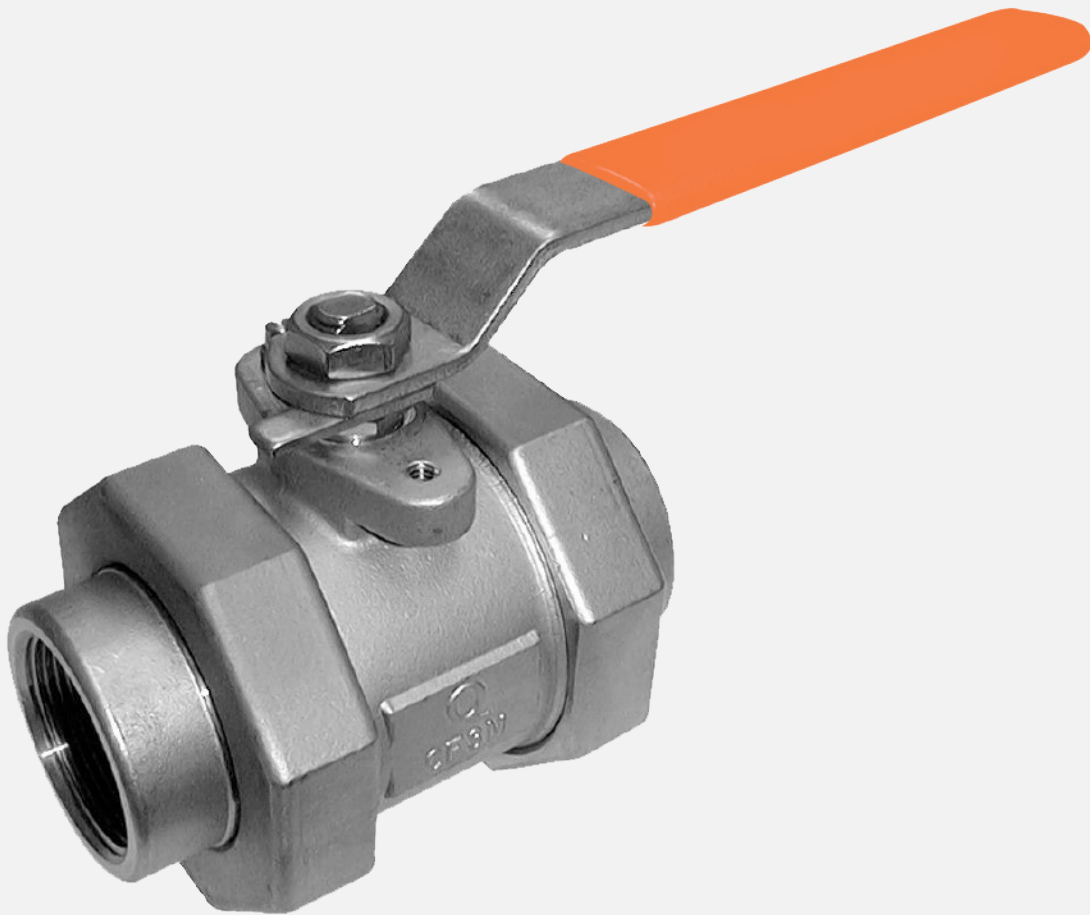


Building connections that last™



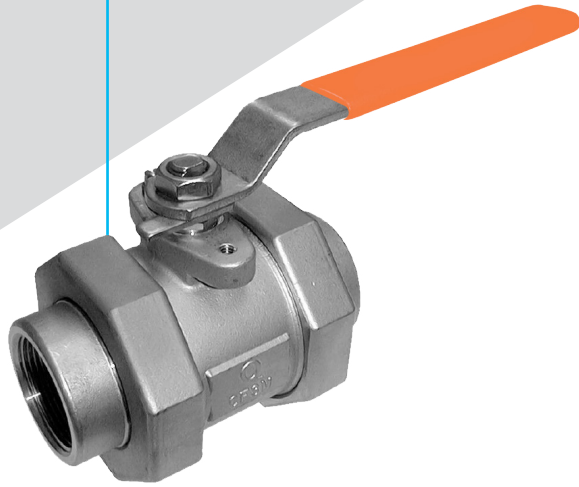
# UU QVA

Double Union End High  
Pressure Ball Valves  
Datasheet



# Double Union End High Pressure Ball Valves

## UU QVA



### Features

- Double Union Construction
- Full Port on All Sizes
- 3000WOG Rating on All Sizes (2" requires PEEK Seats)
- 150 PSIG Saturated Steam Rating
- All Models are NACE MR-01-75 Compliant
- Allows Replacement of Body Sub-Assembly without Disturbing Piping
- Union Construction allows Body Assembly to be Removed for Cleaning in "Batch Systems"
- Available in Socket-Weld or NPT Ends
- Standard Actuator Mounting Pads on all Sizes
- Standard Stainless Steel Handles
- The Ultimate Valve for Socket Weld Systems!

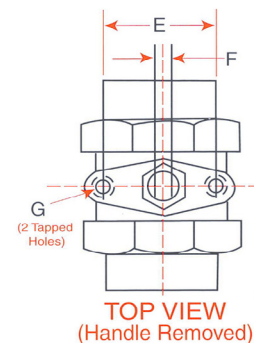
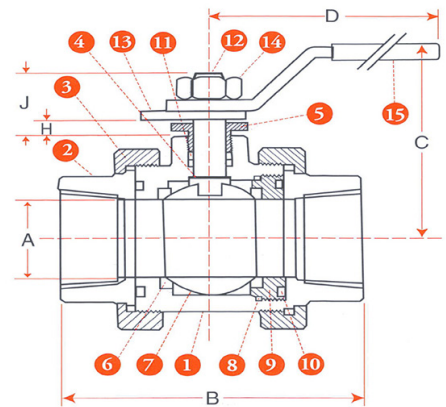
### Ratings

1/4" - 1-1/2": 3000 PSIG @ 100°F (RPTFE)

2": 2250 PSIG @ 100°F (RPTFE)

2": 3000 PSIG @ 100°F (PEEK)

150 PSIG Saturated Steam

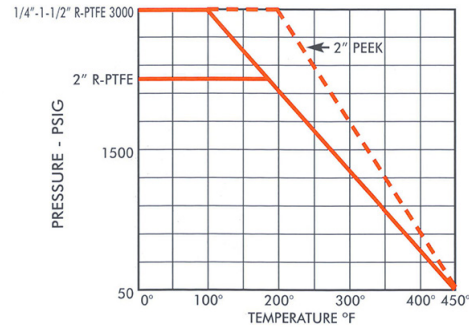
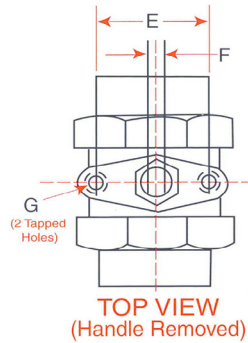
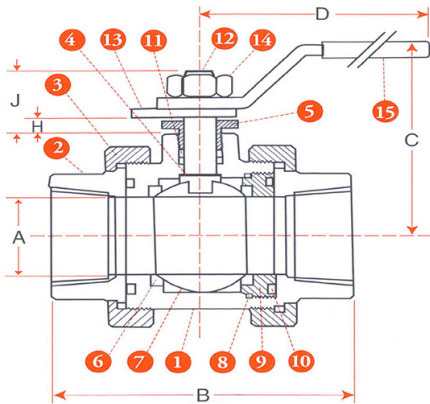


### Materials of Construction

Part	Description	UU-CS (WCB/T316)	UU-SS (CF8M/T316)
1	Body	ASTM A-216 GR. WCB	ASTM A351 GR. CF8M
2	Tailpiece (2)	ASTM A-216 GR. WCB	ASTM A351 GR. CF8M
3	Union Nut (2)	ASTM A-216 GR. WCB	ASTM A351 GR. CF8M
4	Thrust Washer	R-PTFE	R-PTFE
5	Packing Nut	ASTM A276 GR. 316 SS	ASTM A276 GR. 316 SS
6	Seats (2)	R-PTFE (or PEEK-2")	R-PTFE (or PEEK-2")
7	Ball	ASTM A276 GR. 316 SS	ASTM A276 GR. 316 SS
8	Retainer Seal	R-PTFE	R-PTFE
9	Retainer	ASTM A-216 GR. WCB	ASTM A351 GR. CF8M
10	Union Seal (2)	PTFE	PTFE
11	Stem Packing	PTFE	PTFE
12	Stem	ASTM A276 GR. 316 SS	ASTM A276 GR. 316 SS
13	Stop Plate	304 SS	304 SS
14	Handle Nut	304 SS	304 SS
15	Handle Assy	304 SS	304 SS
16	PIN (not shown)	304 SS	304 SS

# Double Union End High Pressure Ball Valves

## UU QVA



### Dimensions, Weights, Cv Factors & Maximum Operating Torque

Size	A	B	C	D	E	F	G	H	J	Weight Lbs.	CV	Max Torque
1/4" - 3/8"	0.44	3.6	2.4	4.2	1.12	0.20	1/4-20UNC	0.21	0.62	1.6	10	40 IN-LB
1/2"	0.62	3.6	2.4	4.2	1.12	0.20	1/4-20UNC	0.21	0.62	1.8	16	75 IN-LB
3/4"	0.81	3.8	2.8	5.1	1.38	0.28	1/4-20UNC	0.22	0.82	2.8	32	120 IN-LB
1"	1.0	4.4	3.0	7.0	1.38	0.28	1/4-20UNC	0.22	0.82	3.7	62	150 IN-LB
1-1/4"	1.25	4.9	3.3	7.3	2.00	0.35	1/4-20UNC	0.22	0.85	5.6	115	250 IN-LB
1-1/2"	1.50	5.3	3.6	9.9	2.00	0.35	1/4-20UNC	0.25	0.96	8.4	140	350 IN-LB
2"	2.00	5.8	3.9	9.9	2.00	0.35	1/4-20UNC	0.29	1.0	12.2	365	475 IN-LB
2" PEEK	2.00	5.8	3.9	9.9	2.00	0.35	1/4-20UNC	0.29	1.0	12.2	365	750 IN-LB

### Numbering System How to order UU QVA

UU	F	C	S	R	R	SH	TT	100
Series	Port Size	Body Material	Ball/Stem Material	Seat Material	Seal Material	Handle Type	Ends	Size
UU Double Union	F Full	C Carbon	S 316 Stainless	R R-PTFE	R R-PTFE	SH Stainless Lever	TT FNPT	025 1/4"
		S Stainless (CF8M)		P PEEK	P PEEK	SL Stainless Latch Lock	MT MxF NPT	038 3/8"
						PA Double Acting Pneumatic	MM MxM NPT	050 1/2"
						SA Spring Return Pneumatic	WW Socket Weld	075 3/4"
						EA 115VAC Electric Actuated	WT Socket Weld x FNPT	100 1"
								125 1-1/4"
								150 1-1/2"
								200 2"

### **About ASC Engineered Solutions**

ASC Engineered Solutions is defined by quality—in its products, services and support. With more than 1,400 employees, the company's portfolio of precision-engineered piping support, valves and connections provides products to more than 4,000 customers across industries, such as mechanical, industrial, fire protection, oil and gas, and commercial and residential construction. Its portfolio of leading brands includes ABZ Valve®, AFCON®, Anvil®, Anvil EPS, Anvil Services, Basic-PSA, Beck®, Catawissa, Cooplet®, FlexHead®, FPPI®, Gruvlok®, J.B. Smith, Merit®, North Alabama Pipe, Quadrant®, SCI®, Sharpe®, SlideLOK®, SPF® and SprinkFLEX®. With headquarters in Commerce, CA, and Exeter, NH, ASC also has ISO 9001:2015 certified production facilities in PA, TN, IL, TX, AL, LA, KS, and RI.



[asc-es.com](http://asc-es.com)

Building connections that last™

FC-DS-UU QVA-v01 20210604

