

Building connections that last™



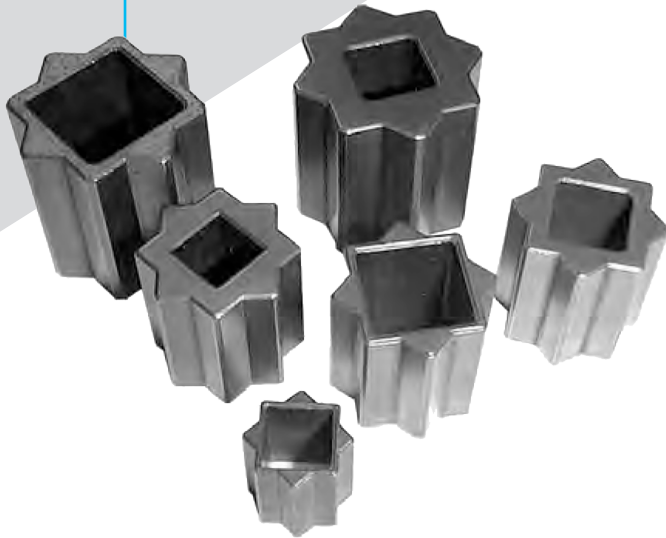
# Quadrant

Metric “Double Square”  
Actuator Inserts  
Datasheet



# Metric “Double Square” Actuator Inserts

## Quadrant

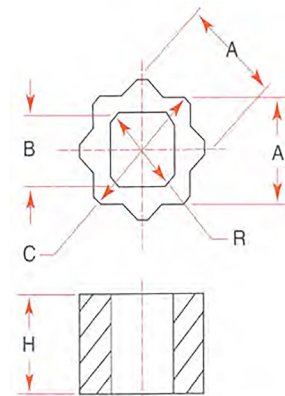


### Features

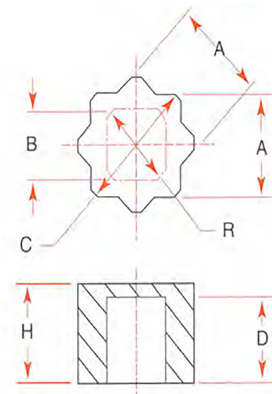
- Reduce Actuator’s ISO Output Shaft Broached Square Drive to Smaller ISO Square Stems
- Iron-Based Powdered Metal Construction for High Strength
- Fit all Quadrant Pneumatic and Electric Actuators
- Fit all Quadrant ISO Pattern Ball and Butterfly Valves
- Fit Quadrant Gear Operators

### Materials of Construction

Insert	A	B	C	D	H	R
11M9	10.95/10.90	9.05/9.10	15.0/14.9	N/A	17.0	12.5
14M9	13.95/13.90	9.05/9.10	19.1/19.0	N/A	20.0	12.5
14M11	13.95/13.90	11.05/11.10	19.1/19.0	N/A	20.0	14.5
17M9	16.95/16.90	9.05/9.10	23.1/23.0	N/A	24.0	12.5
17M11	16.95/16.90	11.05/11.10	23.1/23.0	N/A <td 24.0	14.5	
17M14	16.95/16.90	14.05/14.10	23.1/23.0	N/A	24.0	19.2
22M11	21.95/21.90	11.05/11.10	29.6/29.5	N/A	30.0	14.5
22M14	21.95/21.90	14.05/14.10	26.9/29.5	N/A	30.0	19.2
22M17	21.95/21.90	17.05/17.10	29.6/29.5	N/A	30.0	23.3
22M19	21.95/21.90	19.05/19.10	29.6/29.5	N/A	30.0	25.8
27M14	26.95/26.90	14.05/14.10	36.0/35.9	27.0	29.0	19.2
27M17	26.95/26.90	17.05/17.10	36.0/35.9	27.0	29.0	23.3
27M22	26.95/26.90	22.05/22.10	36.0/35.9	27.0	29.0	30.0
36M19	35.95/35.90	19.05/19.10	48.0/47.9	33.0	35.0	25.8
36M27	35.95/35.90	27.05/27.10	48.0/47.9	33.0	35.0	37

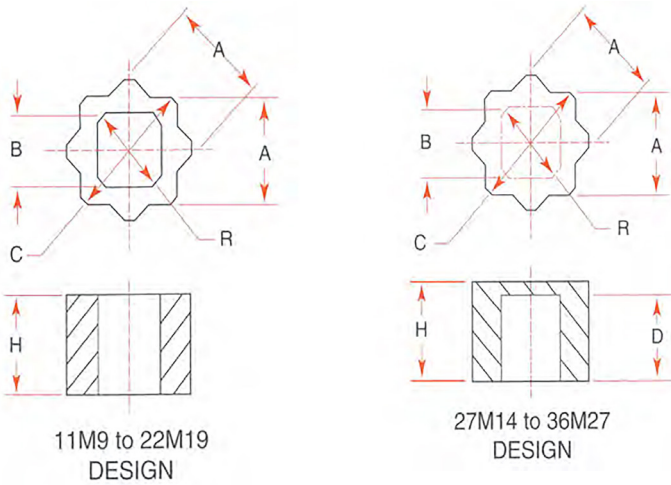


11M9 to 22M19  
DESIGN



27M14 to 36M27  
DESIGN

# Metric “Double Square” Actuator Inserts Quadrant



## Metric Double-Square Insert Where-Used Table

Insert/Driver Number	Fits Quadrant C-Series Pneumatic Actuators	Fits Quadrant G-Series Gear Operators	Fits Quadrant BFV Series Butterfly Valves
11M9	C-250DA & C-250SR	None	N/A
14M9	C-450DA & C-450SR	None	N/A
14M11	C-450DA & C-450SR	None	2", 2-½", 3" & 4"
17M9	C-1000DA & C-1000SR	GO-30 with GO-30-17MMSQ	N/A
17M11	C-1000DA & C-1000SR	GO-30 with GO-30-17MMSQ	2", 2-½", 3" & 4"
17M14	C-1000DA & C-1000SR	GO-30 with GO-30-17MMSQ	5" & 6"
22M11	C-2250DA & C-2250SR	GO-50 with GO-50-22MMSQ	2", 2-½", 3" & 4"
22M14	C-2250DA & C-2250SR	GO-50 with GO-50-22MMSQ	5" & 6"
22M17	C-2250DA & C-2250SR	GO-50 with GO-50-22MMSQ	N/A
22M19	C-2250DA & C-2250SR	GO-50 with GO-50-22MMSQ	8"
27M14	C-3650DA & SR, C-5000DA & SR	GO-50 with GO-50-27MMSQ	5" & 6"
27M17	C-3650DA & SR, C-5000DA & SR	& GO-80 with GO80-27MMSQ	N/A
27M22	C-3650DA & SR, C-5000DA & SR	*****	10"
36M19	C-11000DA & C-11000SR	None	8"
36M27	C-11000DA & C-11000S	None	12" & 14"

Metric “Double Square”  
Actuator Inserts  
**Quadrant**



**Numbering System** How to order Quadrant  
Metric Double Square Actuator Inserts

22	M	17	BFC Driver
Outside Double Square		Inside Square	
11 = 11MM		9 = 9MM	
14 = 14MM		11 = 11MM	
17 = 17MM		14 = 14MM	
22 = 22MM		17 = 17MM	
27 = 27MM		22 = 22MM	
36 = 36MM		27 = 27MM	

### **About ASC Engineered Solutions**

ASC Engineered Solutions is defined by quality—in its products, services and support. With more than 1,400 employees, the company's portfolio of precision-engineered piping support, valves and connections provides products to more than 4,000 customers across industries, such as mechanical, industrial, fire protection, oil and gas, and commercial and residential construction. Its portfolio of leading brands includes ABZ Valve®, AFCON®, Anvil®, Anvil EPS, Anvil Services, Basic-PSA, Beck®, Catawissa, Cooplet®, FlexHead®, FPPI®, Gruklok®, J.B. Smith, Merit®, North Alabama Pipe, Quadrant®, SCI®, Sharpe®, SlideLOK®, SPF® and SprinkFLEX®. With headquarters in Commerce, CA, and Exeter, NH, ASC also has ISO 9001:2015 certified production facilities in PA, TN, IL, TX, AL, LA, KS, and RI.



[asc-es.com](http://asc-es.com)

Building connections that last™

FC-DS-Quadrant-v0120210615

