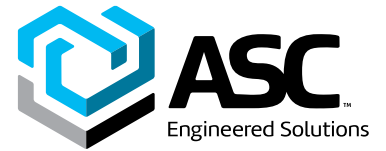


Building connections that last™



M1 QVA

3-Piece Steel Ball Valve with
“Live-Load” Stem Packing
Datasheet



3-Piece Steel Ball Valve with “Live-Load” Stem Packing

M1 QVA



Features

- 3-Piece, 4 Bolt Construction
- Standard Electrically Grounded Ball & Stem
- Live-load PTFE Stem Packing
- NACE MRO1-75 Compliant
- ISO 5211 4 Bolt Mounting
- Standard 31655 Ball & Stem
- Standard 30455 Latch Lock Handles
- 1/4"-4" Full Port
- Female NPT and Socket-Weld Ends Available
- 304SS Packing Clip Secures Packing Adjustment

Ratings

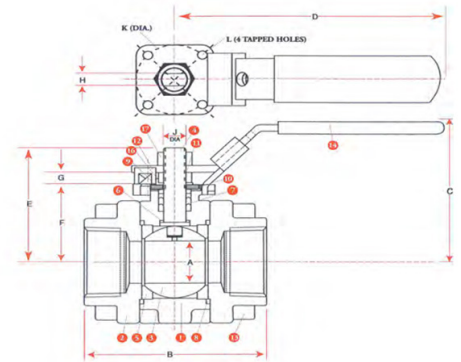
1/4"-2": 1000WOG

2-1/2"-4": 600WOG

All Sizes: 200 PSIG WSP

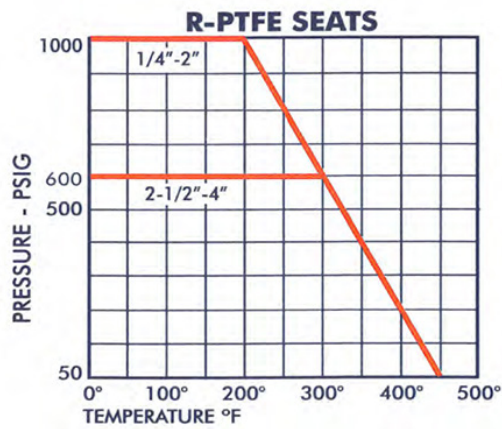
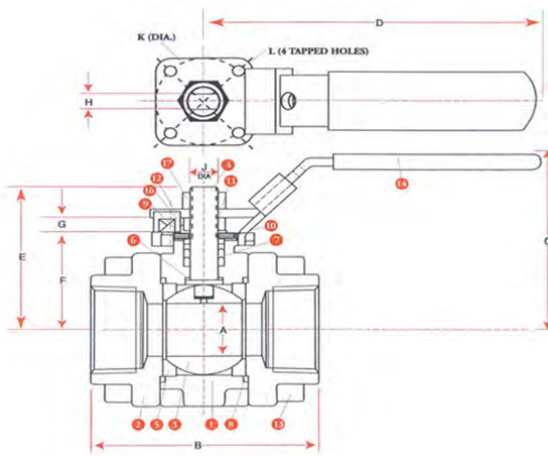
Materials of Construction

Part	QTY.	Description	Standard Material
1	1	Body	ASTM A351 GR CF8M OR A216 GR WCB
2	2	Tailpiece	ASTM A351 GR CF3M OR A216 GR WCB
3	1	Ball	ASTM A276 GR 316 OR CF8M
4	1	Stem	ASTM A276 GR 316 OR CF8M
5	2	Seat	R-TFM (R-PTFE)
6	1	Thrust Washer	R-PTFE
7	1	Packing Set	TFE
8	2	Body Seal	R-PTFE
9	1	Gland	ASTM A276 GR 316 SS
10	2	Belleville Washer	STAINLESS STEEL
11	1	Packing Nut	ASTM A276 GR 304 SS
12	1	Stop Pin	ASTM A276 GR 304 SS
13	8	Body Bolt & Nut	300 SS
14	1	Handle Assy	304 SS
16	1	Packing Clip	304 SS
17	1	Handle Nut	300 SS



3-Piece Steel Ball Valve with "Live-Load" Stem Packing

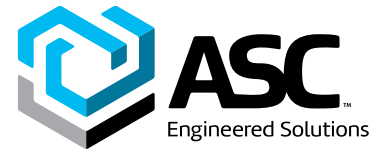
M1 QVA



Dimensions, Weights, Cv Factors & Maximum Operating Torque

Size	A (PORT)	B	C	D	E	F	G	H	J DIA	K DIA	L (3 TAPPED HOLES)	ISO Pattern	Weight Lbs.	CV	Max Torque IN-LBS
1/4-3/8"	0.43	2.49	2.36	4.17	1.84	1.14	0.35	0.20	0.31	1.42	1/4"-20 UNC	F03	1.1	10	60
1/2"	0.56	2.76	2.36	4.17	1.90	1.14	0.37	0.20	0.31	1.42	1/4"-20 UNC	F03	1.1	16	80
3/4"	0.81	3.03	2.83	5.04	2.37	1.34	0.48	0.31	0.50	1.65	1/4"-20 UNC	F04	1.4	32	150
1"	1.00	3.62	3.06	5.04	2.68	1.58	0.48	0.31	0.50	1.65	1/4"-20 UNC	F04	2.1	62	250
1-1/4"	1.25	4.13	3.40	7.83	3.13	1.79	0.57	0.39	0.62	1.97	1/4"-20 UNC	F05	3.3	115	320
1-1/2"	1.50	4.72	3.66	7.83	3.39	2.05	0.57	0.39	0.62	1.97	1/4"-20 UNC	F05	4.3	140	400
2"	2.00	5.43	4.61	7.83	3.71	2.41	0.53	0.39	0.62	1.97	1/4"-20 UNC	F05	6.6	365	500
2-1/2"	2.50	6.69	5.37	10.00	4.96	2.89	0.73	0.47	0.75	2.76	5/16"-18 UNC	F07	10.8	450	1050
3"	3.00	7.52	5.76	10.00	5.47	3.29	0.72	0.47	0.75	2.76	5/16"-18 UNC	F07	33	1100	1350
4"	4.00	8.54	6.88	11.93	6.82	4.21	0.91	0.55	0.87	4.02	3/8"-16 UNC	F10	55	2200	2200

3-Piece Steel Ball Valve with “Live-Load” Stem Packing M1 QVA



Numbering System How to order M1 QVA

M1	F	C	S	R	Z	SL	TT	100
Series	Port Size	Body & Tailpiece Material	Ball/Stem Material	Seat Material	Seal Material	Handle Type	Ends	Size
M1	F Full	C A216 WCB Carbon Steel S A351 GR CF8M Stainless A A351 GR CN7M Alloy 20	S ASTM A276 GR 316 SS A A351 GR CN7M Alloy 20	R R-PTFE U UHMW	Z Live loaded PTFE Packing, R-PTFE Thrust Washer, R-PTFE Seals X Live loaded graphite packing, R-PTFE Thrust Washer, Graphite Seals	SL Stainless Latch Lock SO Stainless Oval LO Stainless Locking Oval PA Double Acting Pneumatic SA Spring Return Pneumatic XH Extended Topworks	TT FNPT WW Socket Weld WT Socket Weld x FNPT	025 1/4" 038 3/8" 050 1/2" 075 3/4" 100 1" 125 1-1/4" 150 1 - 1/2" 200 2" 250 2 - 1/2" 300 3" 400 4"

About ASC Engineered Solutions

ASC Engineered Solutions is defined by quality—in its products, services and support. With more than 1,400 employees, the company's portfolio of precision-engineered piping support, valves and connections provides products to more than 4,000 customers across industries, such as mechanical, industrial, fire protection, oil and gas, and commercial and residential construction. Its portfolio of leading brands includes ABZ Valve®, AFCON®, Anvil®, Anvil EPS, Anvil Services, Basic-PSA, Beck®, Catawissa, Cooplet®, FlexHead®, FPPI®, Gruklok®, J.B. Smith, Merit®, North Alabama Pipe, Quadrant®, SCI®, Sharpe®, SlideLOK®, SPF® and SprinkFLEX®. With headquarters in Commerce, CA, and Exeter, NH, ASC also has ISO 9001:2015 certified production facilities in PA, TN, IL, TX, AL, LA, KS, and RI.



asc-es.com

Building connections that last™

FC-DS-M1 QVA-v01 20210525

