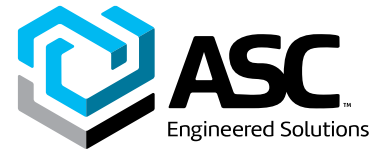


Building connections that last™



Series S1

Seal Welded, 1000 PSI,
Stainless Steel Ball Valve
Datasheet



QUADRANT
An ASC Engineered Solution

Seal Welded, 1000 PSI,
Stainless Steel Ball Valves
Series S1



Features

- One Piece – Seal Welded Construction
- All sizes are Full Port
- 1000 PSI CWP Rating
- 150 PSIG Saturated Steam Rating
- CF8M Bodies and Tailpieces, 316 Stainless Steel Internals
- Standard Actuator Mounting Pads on all Sizes
- Standard Stainless Steel Locking Handles
- Locking Oval Handles Available in Stainless Steel
- The Ultimate in Safe Design!

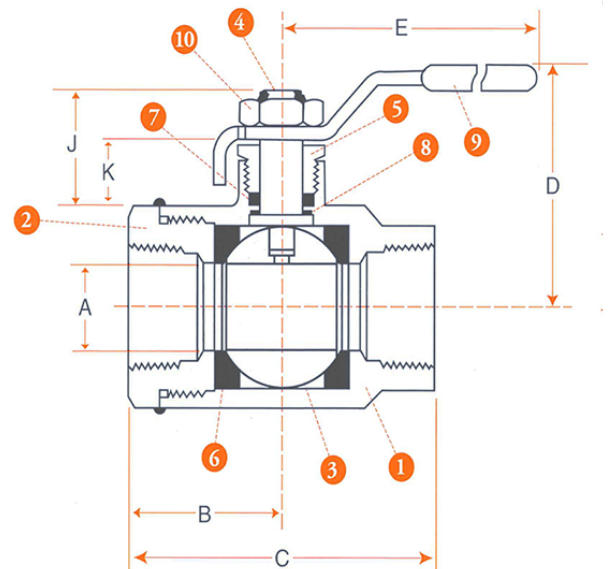
Ratings

1000 PSIG @100°F
150 PSIG Saturated Steam

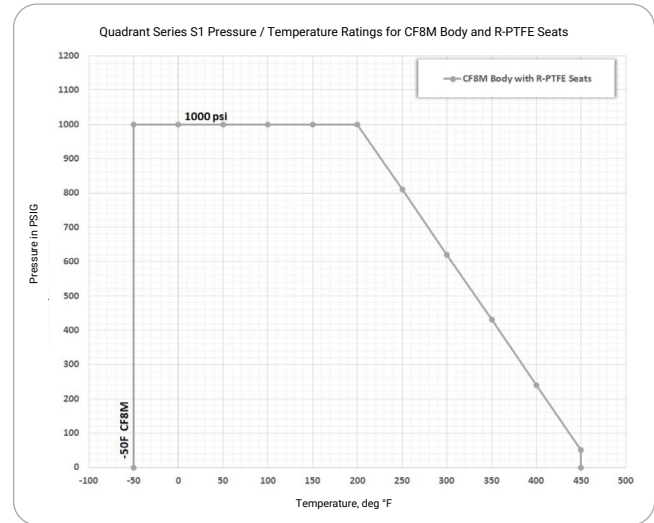
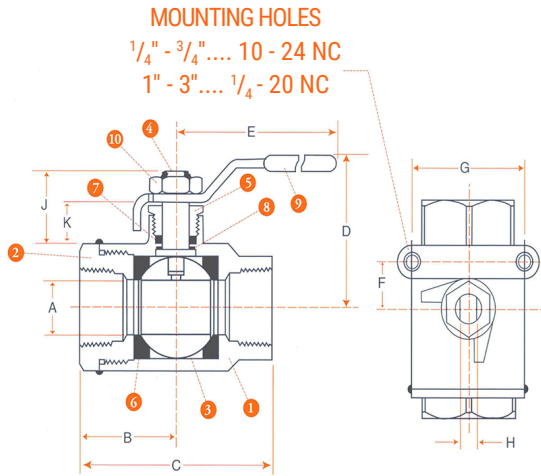
Materials of Construction

Part	Description	Standard Material	Optional Material(s)
1	Body	ASTM A351 CF8M	
2	Tailpiece	ASTM A351 CF8M	
3	Ball	ASTM A276 316	
4	Stem	ASTM A276 316	
5	Packing Nut	ASTM A276 316	
6	Seats (2)	R-PTFE*	
7	Packing	R-PTFE*	Graphite
8	Thrust Washer (2)	R-PTFE*	
9	Handle Assy	Stainless Steel w/ Vinyl	Stainless Locking Oval
10	Handle Nut	Stainless Steel	

* Glass Reinforced PTFE.



Seal Welded, 1000 PSI, Stainless Steel Ball Valves Series S1



Dimensions, Weights, Cv Factors & Maximum Operating Torque

Size	A (Port)	B	C	D	E	F	G	H	J	K	Weight Lbs.	Cv	Max Torque R-PTFE
¼" - ⅜"	0.43	0.71	2.20	2.56	4.25	0.50	1.13	0.20	0.91	0.57	0.60	10	50 IN-LB
½"	0.56	0.81	2.60	2.66	4.25	0.50	1.38	0.20	0.96	0.57	0.70	16	50 IN-LB
¾"	0.81	0.96	2.99	3.25	5.71	0.87	1.38	0.28	1.31	0.71	1.50	32	100 IN-LB
1"	1.00	1.12	3.54	2.66	5.71	0.87	1.50	0.28	1.29	0.69	2.20	62	135 IN-LB
1-¼"	1.25	1.26	3.94	3.41	7.36	0.93	1.50	0.35	1.50	0.79	3.40	115	150 IN-LB
1-½"	1.50	1.46	4.41	4.45	7.36	0.93	1.50	0.35	1.46	0.79	5.30	140	220 IN-LB
2"	1.97	1.65	5.00	4.86	7.95	1.00	1.50	0.35	1.65	0.94	8.00	365	300 IN-LB
2-½"	2.50	1.89	6.57	5.26	9.89	1.37	2.75	0.39	1.83	0.93	15.0	450	360 IN-LB
3"	2.99	2.13	7.17	5.64	9.89	1.37	2.75	0.39	1.81	0.91	22.0	1100	680 IN-LB

Numbering System How to order Series S1

S1	F	S	S	R	R	SL	TT	100
Series	Port Size	Body Material	Ball/Stem Material	Seat Material	Seal Material	Handle Type	Ends	Size
S1	F Full	S Stainless Steel (cast A351 CF8M)	S 316 Stainless Steel	R R-PTFE (Glass Reinforced PTFE)	R R-PTFE (Glass Reinforced PTFE) G Graphite	SL Stainless Latch Lock SO Stainless Oval LO Stainless Locking Oval SR Spring Return (deadman) Handle PA Double Acting Pneumatic SA Spring Return Pneumatic	TT FNPT	025 ¼" 038 ⅜" 050 ½" 075 ¾" 100 1" 125 1-¼" 150 1-½" 200 2" 300 3"

Note: Responsibility for proper selection, use and maintenance of any product remains solely with the purchaser and end user. We reserve the right to modify or improve the designs or specifications of any product at any time without notice.

About ASC Engineered Solutions

ASC Engineered Solutions is defined by quality—in its products, services and support. With nearly 2,000 employees, the company's portfolio of precision-engineered piping support, valves and connections provides products to more than 4,000 customers across industries, such as mechanical, industrial, fire protection, oil and gas, and commercial and residential construction. Its portfolio of leading brands includes ABZ Valve®, AFCON®, Anvil®, Anvil EPS, Anvil Services, Basic-PSA, Beck®, Catawissa, Cooplet®, FlexHead®, FPP1®, Gruvlok®, J.B. Smith, Merit®, North Alabama Pipe, Quadrant®, SCI®, Sharpe®, SlideLOK®, SPF®, SprinkFLEX®, Trenton Pipe and VEP. With headquarters in Oak Brook, IL, ASC also has ISO 9001:2015 certified production facilities in PA, TN, IL, TX, AL, LA, KS, and RI.



asc-es.com

Building connections that last™

FC-DS-Series-S1-v03 20231206

