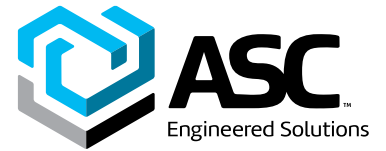


Building connections that last™



# Series SX

Seal Welded,  
Ball Valve Datasheet

1000 to 2000 PSI CWP

1/4" – 4"



# Seal Welded, High Pressure Ball Valves Series SX



## Features

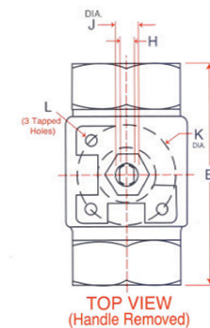
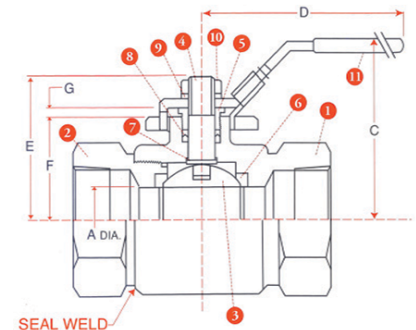
- Seal Welded Construction
- Available in WCB Carbon Steel with 316SS Trim, or Full CF8M/316 Stainless
- Full Port - All Sizes
- 2000 PSI CWP Rating, ¼" – 2"
- 1500 PSI CWP Rating, 2-½" – 3"
- 1000 PSI CWP Rating, 4"
- Elevated Packing Nut for Ease
- Standard Locking Stainless Steel Handles of Access When Automated
- Standard ISO Actuator Mounting Pads on all Sizes
- Optional Oval Handles
- Optional PEEK Seats for High Temp Service

## Ratings

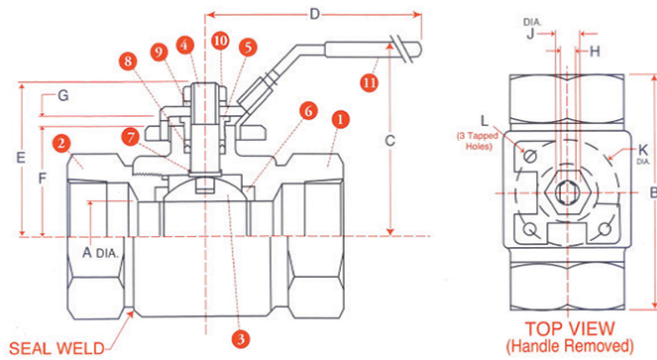
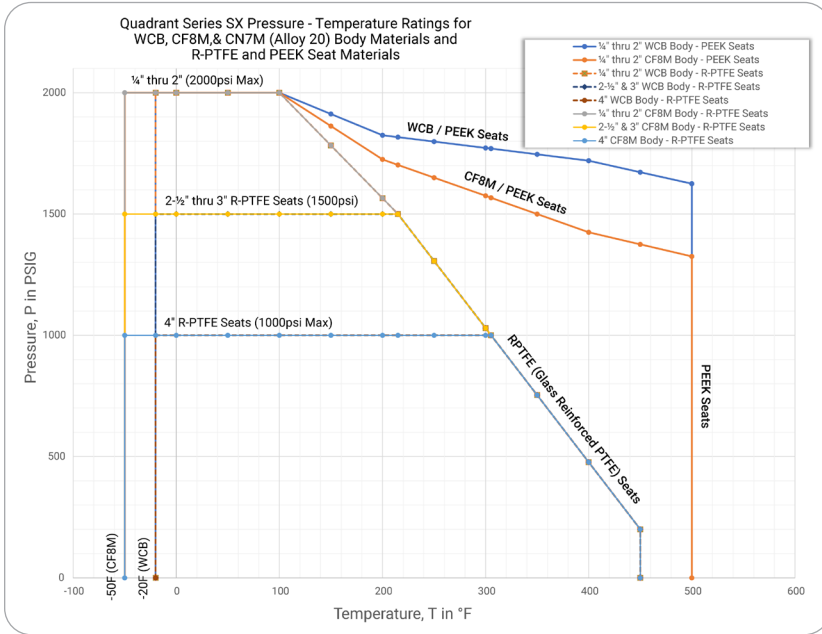
¼" – 2": 2000 PSI @ 100°F  
 2-½" – 3": 1500 PSI @ 100°F  
 4": 1000 PSI @ 100°F  
 200 PSIG Saturated Steam

## Materials of Construction

Part	Description	Standard Material
1	Body	CF8M or WCB
2	Tailpiece	CF8M or WCB
3	Ball	ASTM A276 316 SS
4	Stem	ASTM A276 316 SS
5	Packing Nut	ASTM A276 316 SS
6	Seats (2)	R-PTFE (Glass Reinforced PTFE) or PEEK
7	Thrust Washer	PTFE
8	Stem Packing	Graphite
9	Lock Washer	304 SS
10	Handle Nut	304 SS
11	Handle Assy	304 SS



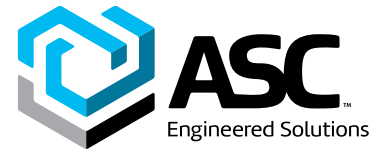
# Seal Welded, High Pressure Ball Valves Series SX



## Dimensions, Weights, Cv Factors & Maximum Operating Torque

Size	A (PORT)	B	C	D	E	F	G	H	J DIA	K DIA	L (3 TAPPED HOLES)	ISO PATTERN	Weight Lbs.	Cv	Max Torque (lb-ft)	
															R-PTFE	PEEK
1/4" - 3/8"	0.43	2.64	2.10	5.04	1.53	0.78	0.35	0.20	0.31	1.42	1/4"-20 UNC	F03	1.10	10	42	60
1/2"	0.50	2.64	2.10	5.04	1.53	0.78	0.37	0.20	0.31	1.42	1/4"-20 UNC	F03	1.00	16	63	90
3/4"	0.81	2.99	2.93	5.61	2.26	1.30	0.37	0.26	0.44	1.65	1/4"-20 UNC	F04	1.70	32	100	144
1"	1.00	3.54	3.15	5.61	2.49	1.47	0.41	0.26	0.44	1.65	1/4"-20 UNC	F04	2.10	62	150	216
1-1/4"	1.25	3.94	3.82	7.24	2.92	1.77	0.44	0.35	0.57	1.97	1/4"-20 UNC	F05	3.80	115	255	360
1-1/2"	1.50	4.41	4.06	7.76	3.18	2.02	0.44	0.35	0.57	1.97	1/4"-20 UNC	F05	6.00	140	340	480
2"	1.97	5.00	4.52	7.76	3.64	2.38	0.55	0.35	0.57	1.97	1/4"-20 UNC	F05	8.70	365	510	720
2-1/2"	2.50	6.57	5.00	13.9	4.33	2.88	0.55	0.47	0.75	2.76	5/16"-18 UNC	F07	18.0	450	720	N/A
3"	2.99	7.17	5.4	13.9	4.73	3.27	0.53	0.47	0.75	2.76	5/16"-18 UNC	F07	26.0	1100	960	N/A
4"	3.94	8.56	7.28	18.11	5.73	4.63	0.53	0.67	1.00	2.76	5/16"-18 UNC	F07	45.0	2200	1400	N/A

# Seal Welded, High Pressure Ball Valves Series SX



## Numbering System How to order Series SX

SX	F	S	S	R	G	SL	TT	100
Series	Port Size	Body Material ¼"–4"	Ball/Stem Material	Seat Material	Seal Material	Handle Type	Ends	Size
SX	F Full	S Stainless Steel (cast A351 CF8M)	S 316 Stainless	R R-PTFE	G Graphite	SL Stainless Latch Lock	TT FNPT	025 ¼"
		C Carbon Steel (cast A216 WCB)		P PEEK (¼"– 2")		LO Stainless Locking Oval	WW Socket Weld	038 ⅜"
				ST 304SS Tee Handle		WT Socket Weld x FNPT	050 ½"	
2-½"– 3" 1500 PSI CWP								075 ¾"
4" 1000 PSI CWP								100 1"
						PA Double Acting Pneumatic		125 1-¼"
						SA Spring Return Pneumatic		150 1-½"
						EA 115VAC Electric Actuated		200 2"
								250 2-½"
								300 3"
								400 4"

**Note:**  
Responsibility for proper selection, use and maintenance of any product remains solely with the purchaser and end user. We reserve the right to modify or improve the designs or specifications of any product at any time without notice.



### **About ASC Engineered Solutions**

ASC Engineered Solutions is defined by quality—in its products, services and support. With nearly 2,000 employees, the company's portfolio of precision-engineered piping support, valves and connections provides products to more than 4,000 customers across industries, such as mechanical, industrial, fire protection, oil and gas, and commercial and residential construction. Its portfolio of leading brands includes ABZ Valve®, AFCON®, Anvil®, Anvil EPS, Anvil Services, Basic-PSA, Beck®, Catawissa, Cooplet®, FlexHead®, FPPI®, Gruvlok®, J.B. Smith, Merit®, North Alabama Pipe, Quadrant®, SCI®, Sharpe®, SlideLOK®, SPF®, SprinkFLEX®, Trenton Pipe and VEP. With headquarters in Oak Brook, IL, ASC also has ISO 9001:2015 certified production facilities in PA, TN, IL, TX, AL, LA, KS, and RI.



[asc-es.com](http://asc-es.com)

Building connections that last™

FC-DS-Series-SX-v03 20240308

