

□ R-2360-6: O.S.&Y. RESILIENT WEDGE GATE VALVE WITH FLANGE ENDS

- 2-1/2", 3", 4", 6", 8", 10" AND 12" SIZES
- MEETS OR EXCEEDS ALL APPLICABLE REQUIREMENTS OF UL 262 AND FM 120/1130 SPECIFICATIONS AND COMPLIES WITH NSF-61
- IRON BODY WITH MUELLER® PRO-GARD™ FUSION EPOXY COATED INTERIOR & EXTERIOR SURFACES
- OUTSIDE SCREW AND YOKE (O.S.&Y.)
- FLANGED END DIMENSIONS AND DRILLING
- RUBBER ENCAPSULATED IRON WEDGE
- ADJUSTABLE PACKING
- HANDWHEEL – OPEN LEFT OR OPEN RIGHT
- 200 PSIG (1379KPA) MAXIMUM WORKING PRESSURE
400 PSIG (2758 KPA) STATIC TEST
- EPOXY COATING MEETS OR EXCEEDS ANSI/AWWA C550 AND COMPLIES WITH NSF-61

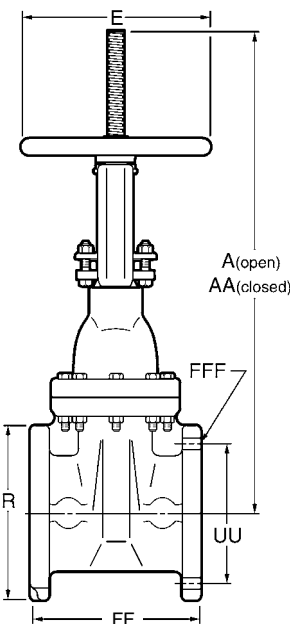
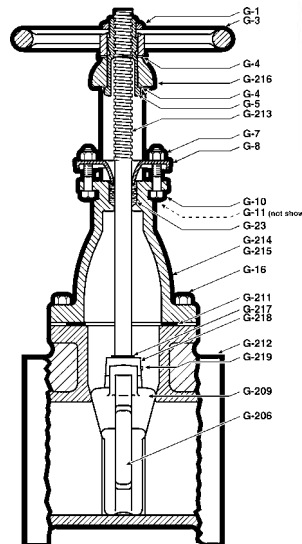
Options

- STAINLESS STEEL FASTENERS: TYPE 304 OR 316
- ASTM B98-C66100/H02 STEM



PARTS LIST

Catalog Part No.	Description	Material	Material Standard
G-1	Cap Nut	Bronze	ASTM B62
G-3	Hand Wheel	Cast Iron	ASTM A126 CL.B
G-4	Washer	Brass	
G-5	Bush Nut	Bronze	ASTM B584
G-7	Gland Nut	Bronze	ASTM B21 Alloy 464
G-8	Packing Gland	Ductile Iron	ASTM A536 Grade 65-45-12
G-10	Gland Bolt	Stainless Steel	Type 304
G-11††	Yoke Bolt & Nut	Stainless Steel	Type 304
G-16	Bonnet Bolts & Nuts	Stainless Steel	Type 304
G-23	Stem Packing	Lubricated Flax	
G-206	Guide Cap Bearings	Celcon	
G-209	Wedge, Rubber Encapsulated	Cast Iron**	ASTM A126 CL.B
G-211	Bonnet Gasket	Rubber	ASTM D2000
G-212	Body	Cast Iron	ASTM A126 CL.B
G-213	Stem	Bronze	ASTM B138
G-214†	Bonnet & Yoke w/Bushing	Cast Iron	ASTM A126 CL.B
G-215††	Bonnet	Cast Iron	ASTM A126 CL.B
G-216††	Yoke	Cast Iron	ASTM A126 CL.B
G-217	O-ring	Nitrile	ASTM D2000
G-218	Disc Nut	Bronze	ASTM B62
G-219	Stem Nut Pin	Stainless Steel	Type 304



DIMENSIONS

Dimension*	Size						
	2-1/2"	3"	4"	6"	8"	10"	12"
A	19.50"	19.25"	23.68"	31.38"	38.50"	47.00"	53.50"
AA	15.75"	15.50"	19.00"	24.50"	29.50"	35.75"	40.50"
E	7.00"	7.00"	10.00"	12.00"	14.00"	16.00"	16.00"
R	7.00"	7.50"	9.00"	11.00"	13.50"	16.00"	19.00"
FF	7.50"	8.00"	9.00"	10.50"	11.50"	13.00"	14.00"
UU	5.50"	6.00"	7.50"	9.50"	11.75"	14.25"	17.00"
FFF (number and size of holes)	4--.75"	4--.75"	8--.75"	8--.88"	8--.88"	12--1"	12--1"
Turns to open	11	11	14	20.5	27	33.5	39
Weight (lbs.)*	68	72	130	194	289	448	596

See page B-1-22 for ordering instructions.

*All dimensions are in inches. All weights are in pounds and are approximate.

** Fully encapsulated in molded rubber with no iron exposed.

† 2-1/2" - 6" sizes have a one-piece bonnet & yoke.

†† 8" - 12" sizes have a two-piece bonnet & yoke.

PROJECT INFORMATION

APPROVAL STAMP

Project:	<input type="checkbox"/> Approved
Address:	<input type="checkbox"/> Approved as noted
Contractor:	<input type="checkbox"/> Not approved
Engineer:	Remarks:
Submittal Date:	
Notes 1:	
Notes 2:	