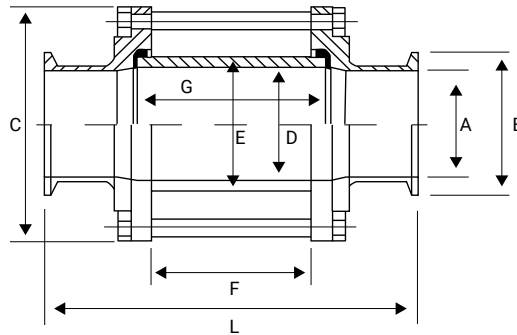


## 316/L Stainless Steel Sight-Glass Clamp End Fig. S7754MP6



- Machined 316 Stainless Steel
- Tri-Clamp Ends
- 60 psi CWP ambient
- EPDM seals standard, Silicon & Viton available upon request



Tube OD in	Part Number 316/L	A in	B in	C in	D in	E in	F in	G in	L in	Packing		Weight lb
										Inner	Master	
1½	S7754MP6014	1.51	2.00	3.35	1.34	1.57	3.15	3.54	5.75	—	1	2.4
2	S7754MP6020	1.87	2.52	4.13	1.96	2.36	3.15	3.54	5.90	—	1	2.5
3	S7754MP6030	2.87	3.58	4.92	2.97	3.35	3.15	3.54	6.14	—	1	4.4
4	S7754MP6040	3.84	4.68	6.18	3.94	4.33	3.15	3.54	6.14	—	1	7.0



PROJECT INFORMATION	APPROVAL STAMP
Project:	Approved
Address:	Approved as noted
Contractor:	Not approved
Engineer:	Remarks:
Submittal Date:	
Notes 1:	
Notes 2:	