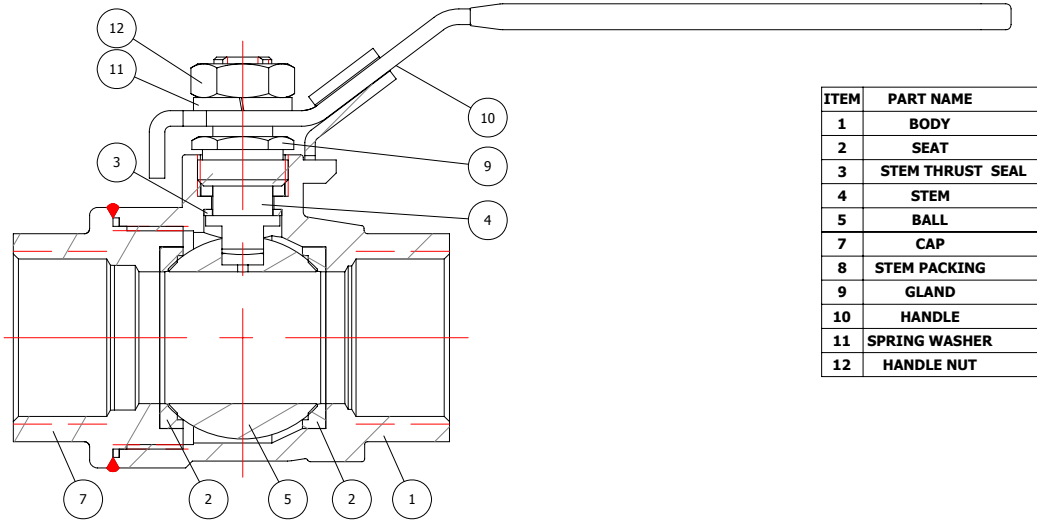


FULL PORT BALL VALVE – MODEL SC201 / SC208 / 8170 / 8155 / 8145 INSTALLATION, OPERATION, AND MAINTENANCE INSTRUCTIONS



ITEM	PART NAME
1	BODY
2	SEAT
3	STEM THRUST SEAL
4	STEM
5	BALL
7	CAP
8	STEM PACKING
9	GLAND
10	HANDLE
11	SPRING WASHER
12	HANDLE NUT

INSTALLATION:

These valves may be installed in the pipeline in any orientation or position, using good piping practice. For threaded end valves, use a suitable joint compound or TFE tape on pipe threads for ease of fit-up.

OPERATION:

These are quarter-turn (90° rotation) ball valves, some are fitted with a latching lever handle for manual operation. The handles also contain travel stop tabs at the open and closed positions. To open the valve, lift the latch/lock slider up (if included) and turn the handle counterclockwise. To close the valve, lift the latch/lock and turn the handle clockwise.

MAINTENANCE:

----WARNING----
**Do not attempt to perform
 maintenance on valves in
 pressurized lines.**

Stem Seal Adjustment:

If leakage is evident from the stem packing area, tighten the gland nut $\frac{1}{8}$ turn. If the leakage persists, repeat tightening. When leakage cannot be corrected by tightening the stem nut, replacement of the valve will be necessary.