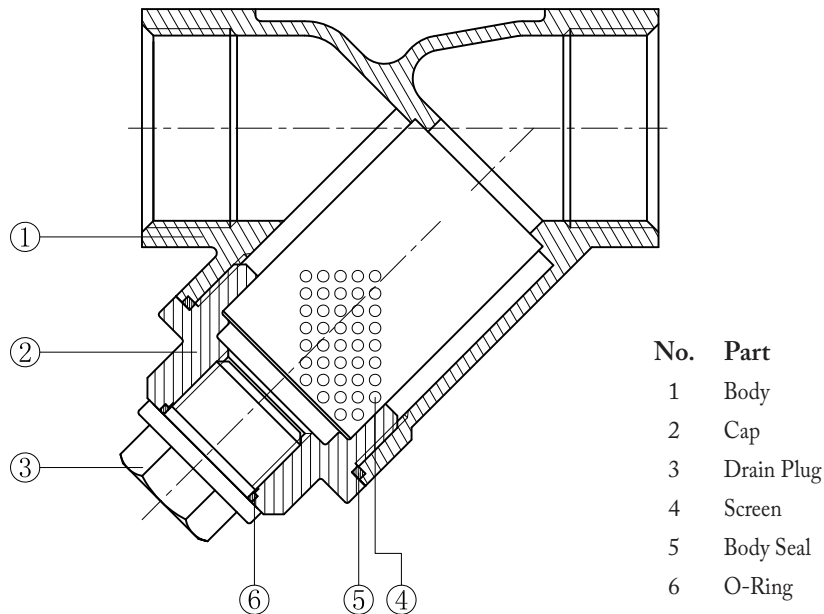


## IOM “Y” Strainers – MODEL S7066YS INSTALLATION, OPERATION, AND MAINTENANCE INSTRUCTIONS



### **INSTALLATION:**

For horizontal piping, the strainer should be installed so that the blow-down connection is pointed downwards.

Threaded end strainers should use an appropriate thread sealant on the male pipe threads connecting the strainer into the system. Once the strainer is installed, increase system pressure gradually and check for leaks around joints.

### **OPERATION:**

A differential pressure gauge installed across the strainer will indicate when the efficient operation of the strainer has been compromised due to excessive debris in the strainer screen. When the differential pressure reaches 5-10 psi the screen must be cleaned.

### **MAINTENANCE:**

Shut the piping system down and drain it completely. Remove the blow down plug from the bottom of the strainer cap, a small amount of fluid will be released from the strainer after the plug is removed so have a container available to capture the fluid.

Remove the cap and remove and clean the screen. Also clean the interior of the strainer so that the screen will re-install in the correct position. Place the screen into the strainer housing ensuring that it is seated properly in the body.

Re-install the cap and plug into the bottom of the strainer, make sure that the cap is around the screen and the body seal is in the correct position on the cap. Tighten both the cap and the plug.