

USA 800-766-0076
 Fax 323-890-4456
 www.smithcooper.com
 Los Angeles, CA
 Chicago, IL
 Atlanta, GA
 Vancouver, WA

Series 01714105

CROSS HANDLE BRASS GATE VALVE, THREADED

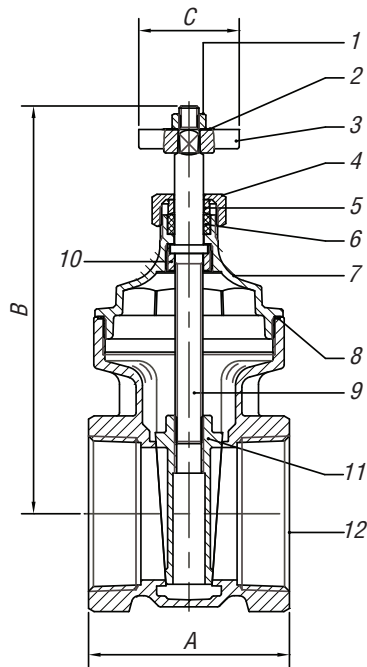


- 200 lb. WOG
- Full port
- Solid wedge disc
- Non-rising stem
- Certified to NSF/ANSI 61-8
- ISO 9001:2008 manufacturer

Note: Product contains brass which does not meet federal and state requirements for drinking water.



WARNING: Cancer and Reproductive Harm - www.P65Warnings.ca.gov



No.	Part	Material
1	Wheel Nut	Hot Rolled SAE 1010R
2	Name Plate	Aluminium
3	Cross Handle	Brass B584 C85700
4	Packing Nut	Brass B16 C36000
5	Gland Ring	Brass B16 C36000
6	Gland Packing	PTFE
7	Bonnet	Brass B584 C85700
8	Packing	Fibre
9	Stem	Brass B16 C36000 (1/2"-2") Brass B584 C85700 (2-1/2"-4")
10	Locknut	Brass B16 C36000
11	Disc	Brass B584 C85700
12	Body	Brass B584 C85700

Size IN	Part Number	Weight LB	A IN	B IN	C IN
1/2	01714105G	0.6	1.71	2.80	2.09
3/4	01714105I	0.8	1.81	3.15	2.13
1	01714105K	0.9	2.13	3.62	2.48
1-1/4	01714105L	1.5	2.25	4.49	2.72
1-1/2	01714105M	2.0	2.44	4.93	3.15
2	01714105N	3.2	2.70	5.87	3.53
2-1/2	01714105P	5.6	3.70	7.52	3.97
3	01714105Q	7.4	4.02	8.51	4.37
4	01714105T	13.9	4.53	9.53	5.00