

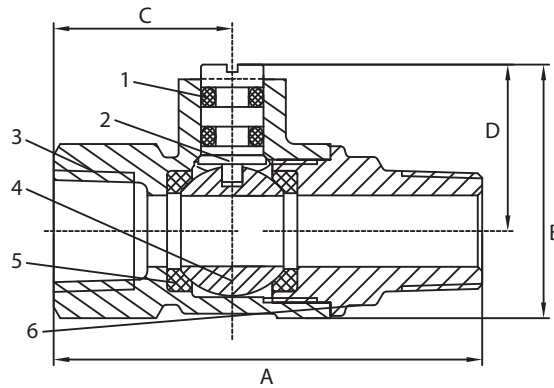
SLOT STEM BRASS MINI BALL VALVE, THREADED FIP x MIP



- 600 lb. CWP, 150 lb. WSP
- Forged brass body
- ISO 9001:2008 manufacturer

Note: Product contains brass which does not meet federal and state requirements for drinking water.

! **WARNING:** Cancer and Reproductive Harm - www.P65Warnings.ca.gov



No.	Part	Material
1	O-Ring	NBR
2	Stem	Forged Brass ASTM B-124, C37700
3	Body	Forged Brass ASTM B-124, C37700
4	Ball	Chrome Plated Brass ASTM B-124, C37700
5	Seat Rings	PTFE
6	Body End Cap	Forged Brass ASTM B-124, C37700

Size IN	Part Number	Weight LB	A IN	B IN	C IN	D IN
1/4 x 1/4	01728142CC	0.2	1.89	1.12	0.79	0.732

USA 800-766-0076

Fax 323-890-4456

www.smithcooper.com

Los Angeles, CA

Chicago, IL

Atlanta, GA

Vancouver, WA