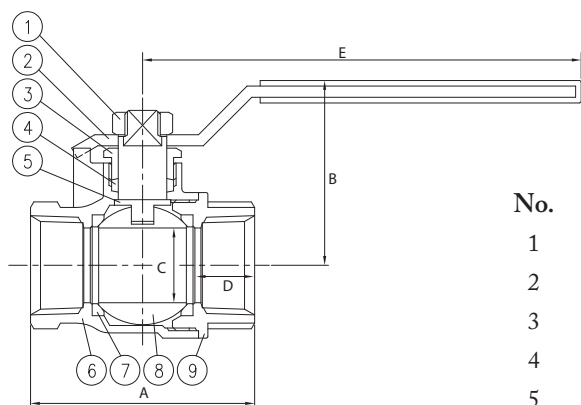


LEAD-FREE BRASS BALL VALVE, NICKEL PLATED



- Meets Federal Safe Water Drinking Water Act, lead-free requirement
- Certified to NSF/ANSI 372
- 600 lb. CWP, 150lb. WSP
- Full port
- Lead-free forged brass body
- Blow-out proof stem
- CSA approved under z21.15a for 1/2 psig (1/2" - 2")
- CSA approved under 3-88 for 5 psig (1/2" - 2")
- ISO 9001:2008 manufacturer



No.	Part	Material
1	Nut	Forged Steel ASTM A283 (Zinc Plated)
2	Handle	Forged Steel ASTM A283 (Zinc Plated)
3	Packing Nut	Brass ASTM B-36, C28000
4	Stem Packing	PTFE
5	Stem	Brass ASTM B-36, C28000
6	Body	Forged Brass ASTM B-36, C28000 Nickel Plated
7	Ball Seat	PTFE
8	Ball	Chrome Plated Brass ASTM B-36, C28000
9	Body End Cap	Brass ASTM B-36, C28000

Size IN	Part Number	Weight LB	A IN	B IN	C IN	D IN	E IN
1/8	01728160AL	0.3	1.69	1.62	0.39	0.39	3.47
1/4	01728160CL	0.3	1.69	1.62	0.39	0.39	3.47
3/8	01728160EL	0.4	1.69	1.62	0.39	0.39	3.47
1/2	01728160GL	0.5	2.07	1.85	0.59	0.51	3.47
3/4	01728160IL	0.7	2.38	2.13	0.79	0.55	4.33
1	01728160KL	1.0	2.90	2.29	0.99	0.66	4.33
1-1/4	01728160LL	1.7	3.27	2.80	1.26	0.67	5.71
1-1/2	01728160ML	2.3	3.62	3.00	1.58	0.68	5.71
2	01728160NL	3.5	4.41	3.27	1.97	0.87	5.71

USA 800-766-0076

Fax 323-890-4456

www.smithcooper.com

Los Angeles, CA

Chicago, IL

Atlanta, GA

Vancouver, WA

Houston, TX