

USA 800-766-0076

Fax 323-890-4456

www.smithcooper.com

Los Angeles, CA

Chicago, IL

Atlanta, GA

Vancouver, WA

Series 0190700

ANTI-SIPHON FROST FREE SILLCOCK, MIP x SWT

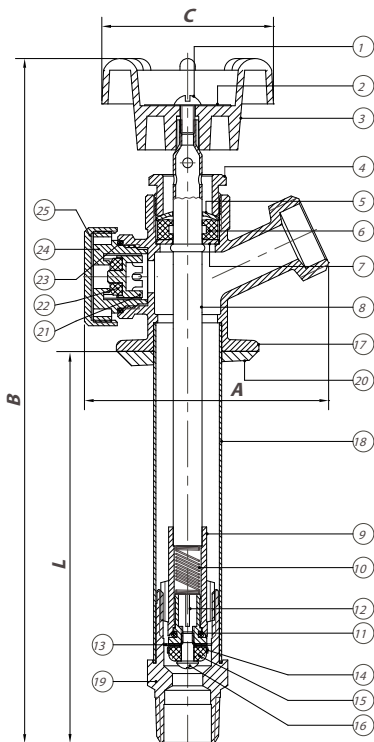


- 3/4 MHT outlet
- 1/2" MIP x 1/2" SWT inlet
- Chrome plated brass body
- Vacuum breaker
- Metal handle (plastic handle available)
- IAPMO/UPC listed
- CSA approved
- ASSE approved
- ISO 9001:2008 manufacturer

Note: Product contains brass which does not meet federal and state requirements for drinking water.



WARNING: Cancer and Reproductive Harm - www.P65Warnings.ca.gov



No.	Part	Material
1	Handle Bolt	Brass B-124, C37700
2	Name Plate	Aluminium
3	Hand-Wheel	Zinc
4	Bonnet	Brass B16 C36000
5	Washer	304 Stainless Steel
6	Packing	NBR
7	Washer	304 Stainless Steel
8	Stem Pipe	Brass (Copper Alloy Nos.27000)
9	Stem	Brass B16 C36000
10	Spring	304 Stainless Steel
11	O-Ring	NBR
12	Spring Seat	Brass B16 C36000
13	Flapper	NBR
14	Seat Holder	Brass B-124, C37700
15	Seat Packing	NBR
16	Seat Screw	Brass B-124, C37700
17	Body	Brass B584 C85700
18	Pipe Flow	Brass (Copper Alloy Nos.27000)
19	Nipple	Brass B16 C36000
20	Flange Packing	Formocon FM090 CF500P
21	Floating	Formocon FM090 CF500P
22	Floating Pack	NBR
23	O-Ring	NBR
24	Bolt Packing	Formocon FM090 CF500P
25	Cap	Brass B16 C36000

Length IN (L)	Part Number	Weight LB	A IN	B IN	C IN
4	0190704IG	1.0	3.07	8.64	2.21
6	0190706IG	1.0	3.07	10.66	2.21
8	0190708IG	1.1	3.07	12.66	2.21
10	0190710IG	1.1	3.07	14.68	2.21
12	0190712IG	1.2	3.07	16.72	2.21
14	0190714IG	1.3	3.07	18.73	2.21

ANTI-SIPHON FROST FREE SILLCOCK, MIP x FIP

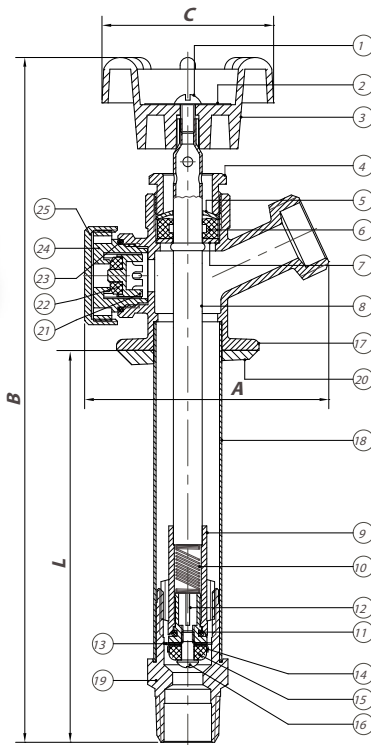


- 3/4" MHT outlet
- 3/4" MIP x 1/2" FIP inlet
- Chrome plated brass body
- Vacuum breaker
- Metal handle (plastic handle available)
- IAPMO/UPC listed
- CSA approved
- ASSE approved
- ISO 9001:2008 manufacturer

Note: Product contains brass which does not meet federal and state requirements for drinking water.



WARNING: Cancer and Reproductive Harm - www.P65Warnings.ca.gov



No.	Part	Material
1	Handle Bolt	Brass B-124, C37700
2	Name Plate	Aluminium
3	Hand-Wheel	Zinc
4	Bonnet	Brass B16 C36000
5	Washer	304 Stainless Steel
6	Packing	NBR
7	Washer	304 Stainless Steel
8	Stem Pipe	Brass (Copper Alloy Nos.27000)
9	Stem	Brass B16 C36000
10	Spring	304 Stainless Steel
11	O-Ring	NBR
12	Spring Seat	Brass B16 C36000
13	Flapper	NBR
14	Seat Holder	Brass B-124, C37700
15	Seat Packing	NBR
16	Seat Screw	Brass B-124, C37700
17	Body	Brass B584 C85700
18	Pipe Flow	Brass (Copper Alloy Nos.27000)
19	Nipple	Brass B16 C36000
20	Flange Packing	Formocon FM090 CF500P
21	Floating	Formocon FM090 CF500P
22	Floating Pack	NBR
23	O-Ring	NBR
24	Bolt Packing	Formocon FM090 CF500P
25	Cap	Brass B16 C36000

Length IN (L)	Part Number	Weight LB	A IN	B IN	C IN
4	0190804IG	1.0	3.07	8.64	2.21
6	0190806IG	1.0	3.07	10.66	2.21
8	0190808IG	1.1	3.07	12.66	2.21
10	0190810IG	1.1	3.07	14.68	2.21
12	0190812IG	1.2	3.07	16.72	2.21
14	0190814IG	1.3	3.07	18.73	2.21

USA 800-766-0076

Fax 323-890-4456

www.smithcooper.com

Los Angeles, CA

Chicago, IL

Atlanta, GA

Vancouver, WA