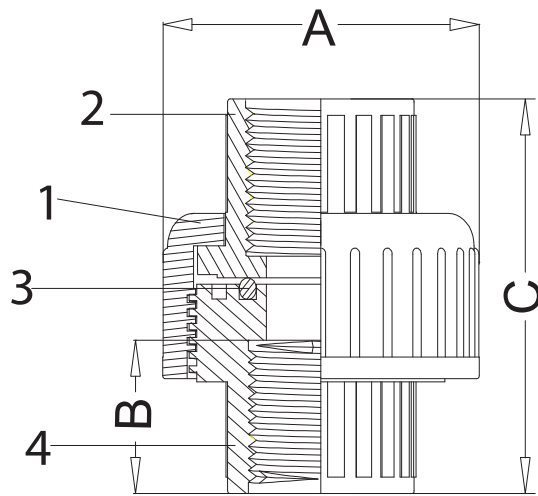


PVC UNION, FIP x FIP



- Max. 150 psi @ 73°F
- White PVC
- Schedule 80
- Certified to NSF/ANSI 14
- Certified to NSF/ANSI 61 Annex G Lead-Free



No.	Part	Material
1	Nut	PVC
2	End Connector	PVC
3	O-Ring	EPDM
4	Body	PVC

USA 800-766-0076

Fax 323-890-4456

www.smithcooper.com

Los Angeles, CA

Chicago, IL

Atlanta, GA

Vancouver, WA

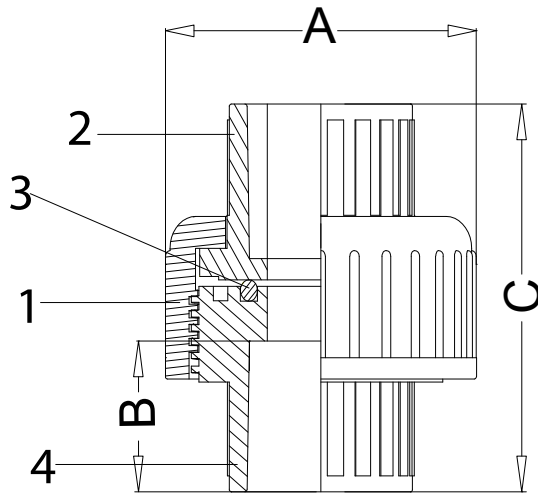
Houston, TX

Size IN	Part Number	Weight LB	Bore IN	A IN	B IN	C IN
1/2	02938121G	0.2	0.59	2.13	0.77	2.18
3/4	02938121I	0.3	0.79	2.54	0.90	2.50
1	02938121K	0.4	0.98	2.86	0.98	2.84
1-1/4	02938121L	0.5	1.26	3.14	1.11	3.10
1-1/2	02938121M	0.7	1.58	3.63	1.34	3.39
2	02938121N	0.9	1.97	4.11	1.44	3.67

PVC UNION, SLIP X SLIP



- IPS socket
- White PVC
- Max. 150 psi @ 73°F
- Schedule 80
- Certified to NSF/ANSI 14
- Certified to NSF/ANSI 61
Annex G Lead-Free



No.	Part	Material
1	Nut	PVC
2	End Connector	PVC
3	O-Ring	EPDM
4	Body	PVC

USA 800-766-0076

Fax 323-890-4456

www.smithcooper.com

Los Angeles, CA

Chicago, IL

Atlanta, GA

Vancouver, WA

Houston, TX

Size IN	Part Number	Weight LB	Bore IN	A IN	B IN	C IN
1/2	02938122G	0.2	0.59	2.13	0.88	2.20
3/4	02938122I	0.3	0.79	2.55	1.00	2.53
1	02938122K	0.4	0.98	2.86	1.13	2.84
1-1/4	02938122L	0.5	1.23	3.14	1.25	3.11
1-1/2	02938122M	0.7	1.57	3.63	1.38	3.44
2	02938122N	0.9	1.97	4.09	1.50	3.70