

Building connections that last™



Series 103L

Brass Boiler Drain, MIP Datasheet



Brass Boiler Drain, MIP Series 103L

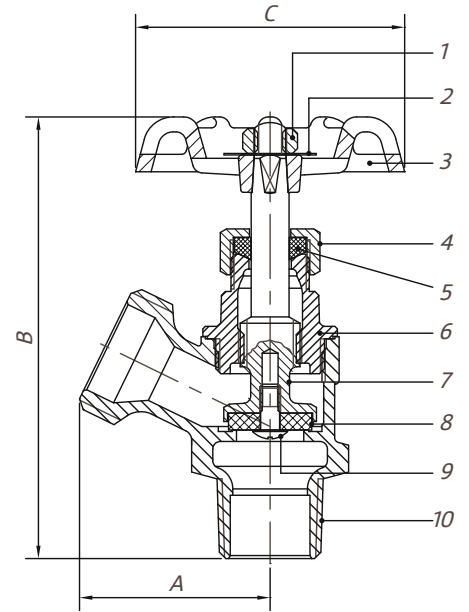


Design Features

- California AB1953 lead-free approved
- Meets federal Safe Water Drinking Water Act, lead-free requirement
- 125 lb. WOG
- NPT x ¾" NHT
- Cast brass
- CSA approved
- ANSI/NSF 61-8 approved (low lead)
- ISO 9001:2008 manufacturer

Parts & Materials

No.	Part	Material
1	Wheel Nut	Forged Steel ASTM-AISI-1010
2	Name Plate	Aluminium ASTM B-209, Alloy 1100
3	Hand-Wheel	Cast Iron ASTM A-48, Class No. 35
4	Packing Nut	Brass ASTM B-16, C36000
5	Gland Packing	PTFE
6	Bonnet	Cast Brass ASTM B-584, C89550
7	Stem	Cast Brass ASTM B-584, C89550
8	Seat Packing	NBR
9	Seat Screw	Brass ASTM B-134, C27000
10	Body	Cast Brass ASTM B-134, C27000



Dimensions

Size	Part Number	Weight	A	B	C
In		Lb	In	In	In
½	0190103GL	0.5	1.57	3.58	2.13
¾	0190103IL	0.5	1.57	3.70	2.13

About ASC Engineered Solutions

ASC Engineered Solutions is defined by quality—in its products, services and support. With more than 1,400 employees, the company's portfolio of precision-engineered piping support, valves and connections provides products to more than 4,000 customers across industries, such as mechanical, industrial, fire protection, oil and gas, and commercial and residential construction. Its portfolio of leading brands includes ABZ Valve®, AFCON®, Anvil®, Anvil EPS, Anvil Services, Basic-PSA, Beck®, Catawissa, Cooplet®, FlexHead®, FPPI®, Gruvlok®, J.B. Smith, Merit®, North Alabama Pipe, Quadrant®, SCI®, Sharpe®, SlideLOK®, SPF® and SprinkFLEX®. With headquarters in Commerce, CA, and Exeter, NH, ASC also has ISO 9001:2015 certified production facilities in PA, TN, IL, TX, AL, LA, KS, and RI.



asc-es.com

Building connections that last™

FC-DS-SERIES-103L-V01 20211202

