

Building connections that last™



# Series 110

Brass Flanged Sillcock, Sweat Datasheet



# Brass Flanged Sillcock, Sweat Series 110



## Design Features

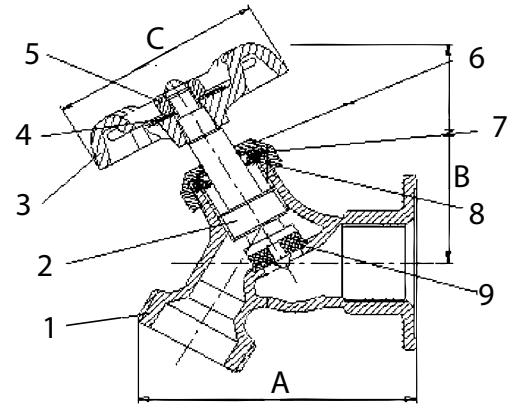
- 125 lb. CWP
- NPT x 3/4" NHT
- Cast brass

**Note:** Product contains brass which does not meet federal and state requirements for drinking water.

**WARNING:** Cancer and Reproductive Harm - [www.P65Warnings.ca.gov](http://www.P65Warnings.ca.gov)

## Parts & Materials

No.	Part	Material
1	Body	Cast Brass ASTM B-584, C85700
2	Stem	Cast Brass ASTM B-584, C85700
3	Handwheel	Cast Iron ASTM A48 Class/NO. 35
4	Name Plate	Aluminium ASTM B209-1100
5	Handle Nut	Brass Plate Steel ASTM AISI-1010
6	Packing Nut	Brass ASTM B-124, C37700
7	Packing Washer	Rubber (NBR)
8	Washer	Stainless Steel 304
9	Bibb Washer	Rubber (NBR)



## Dimensions

Size	Part Number	Weight	A	B	C
In		Lb	In	In	In
1/2	0190110G	0.47	2.44	2.36	2.00
3/4	0190110I	0.48	2.44	2.36	2.00

### **About ASC Engineered Solutions**

ASC Engineered Solutions is defined by quality—in its products, services and support. With more than 1,400 employees, the company's portfolio of precision-engineered piping support, valves and connections provides products to more than 4,000 customers across industries, such as mechanical, industrial, fire protection, oil and gas, and commercial and residential construction. Its portfolio of leading brands includes ABZ Valve®, AFCON®, Anvil®, Anvil EPS, Anvil Services, Basic-PSA, Beck®, Catawissa, Cooplet®, FlexHead®, FPPI®, Golvlok®, J.B. Smith, Merit®, North Alabama Pipe, Quadrant®, SCI®, Sharpe®, SlideLOK®, SPF® and SprinkFLEX®. With headquarters in Commerce, CA, and Exeter, NH, ASC also has ISO 9001:2015 certified production facilities in PA, TN, IL, TX, AL, LA, KS, and RI.



[asc-es.com](http://asc-es.com)

Building connections that last™

FC-DS-SERIES-110-v01 20211201

