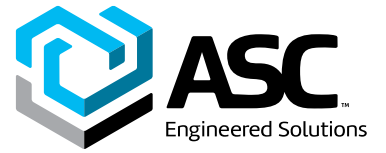


Building connections that last™



Series 112 & Series 112VB

Brass Flanged Sillcock, FIP & Flanged
Sillcock with Stuffing Box & Vacuum
Breaker, FIP Datasheet



Brass Flanged Sillcock, FIP Series 112



Design Features

- 125 lb. CWP
- NPT x 3/4" NHT
- Cast brass
- CSA approved
- Certified to NSF/ANSI 61-8
- ISO 9001:2008 manufacturer

Note: Product contains brass which does not meet federal and state requirements for drinking water.

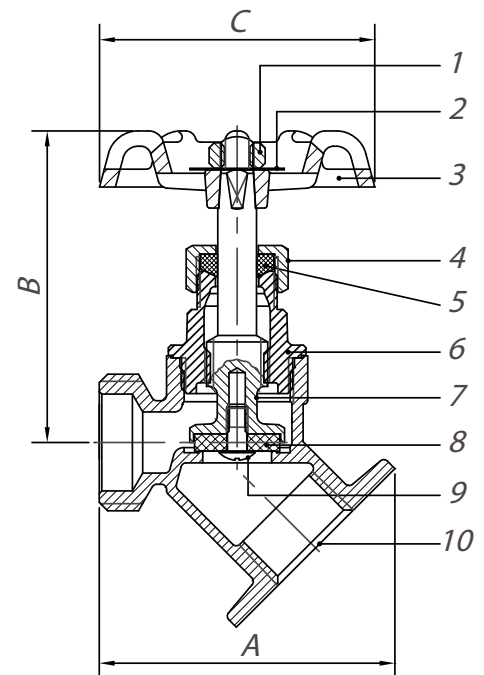
WARNING: Cancer and Reproductive Harm - www.P65Warnings.ca.gov

Parts & Materials

No.	Part	Material
1	Wheel Nut	Hot Rolled SAE 1010R
2	Name Plate	Aluminium
3	Hand-Wheel	Cast Iron
4	Packing Nut	Brass B16 C36000
5	Gland Packing	Teflon Polyflon
6	Bonnet	Brass B584 C85700
7	Stem	Brass B584 C85700
8	Seat Packing	NBR
9	Seat Screw	Brass B-124, C37700
10	Body	Brass B584 C85700

Dimensions

Size	Part Number	Weight	A	B	C
In		Lb	In	In	In
1/2	0190112G	0.6	2.25	2.40	2.09
3/4	0190112I	0.6	2.40	2.40	2.09



SCI
An ASC Engineered Solution

Flanged Sillcock with Stuffing Box & Vacuum Breaker, FIP


Series 112VB



Design Features

- 125 lb. CWP
- NPT x 3/4" NHT
- Cast brass
- Hose end vacuum breaker installed
- Certified to NSF/ANSI 61-8
- Vacuum breaker meets ANSI 10.11 and CSA B64.2
- ISO 9001:2008 manufacturer

Note: Product contains brass which does not meet federal and state requirements for drinking water.

 **WARNING:** Cancer and Reproductive Harm - www.P65Warnings.ca.gov

Parts & Materials

No.	Part	Material
1	Wheel Nut	Hot Rolled SAE 1010R
2	Name Plate	Aluminium A1100
3	Handwheel	Cast Iron JIS ZZ2202
4	Packing Nut	Brass B16 C36000
5	Gland Packing	Teflon Polyfon SN-919F
6	Bonnet	Brass B584 C85700
7	Stem	Brass B584 C85700
8	Seat Packing	Rubber (NBR) SN-919F (2)
9	Seat Screw	Brass B-124, C37700
10	Body	Brass B584 C85700
11	Packing	Rubber (NBR) SN-919F (2)
12	Bolt	Brass B584 C85700
13	Hose Bonnet	Brass B584 C85700
14	Seat Rubber	Rubber (NBR) SN-919F
15	Spring Seat	POM M90 Formocon FM090 CF500P
16	Spring	Stainless Steel 304
17	Hose Body	Brass B584 C85700

Dimensions

Size	Part Number	Weight	D	H	L
In		Lb	In	In	In
1/2 x 3/4	0190112GVB	0.8	2.9	2.4	3.3

About ASC Engineered Solutions

ASC Engineered Solutions is defined by quality—in its products, services and support. With more than 1,400 employees, the company's portfolio of precision-engineered piping support, valves and connections provides products to more than 4,000 customers across industries, such as mechanical, industrial, fire protection, oil and gas, and commercial and residential construction. Its portfolio of leading brands includes ABZ Valve®, AFCON®, Anvil®, Anvil EPS, Anvil Services, Basic-PSA, Beck®, Catawissa, Cooplet®, FlexHead®, FPPI®, Golvlok®, J.B. Smith, Merit®, North Alabama Pipe, Quadrant®, SCI®, Sharpe®, SlideLOK®, SPF® and SprinkFLEX®. With headquarters in Commerce, CA, and Exeter, NH, ASC also has ISO 9001:2015 certified production facilities in PA, TN, IL, TX, AL, LA, KS, and RI.



asc-es.com

Building connections that last™

FC-DS-SERIES-112-112VB-v01 20211203

