

Building connections that last™

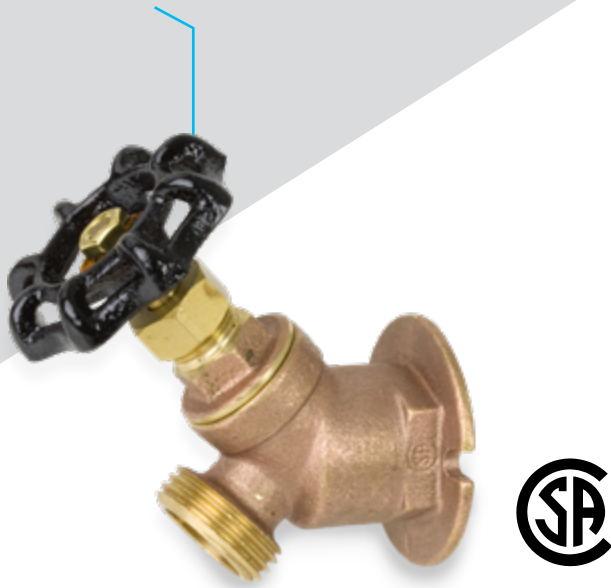


Series 112L

Lead-Free Flanged Brass Sillcock,
FIP Datasheet



Lead-Free Brass Flanged Sillcock, FIP Series 112L

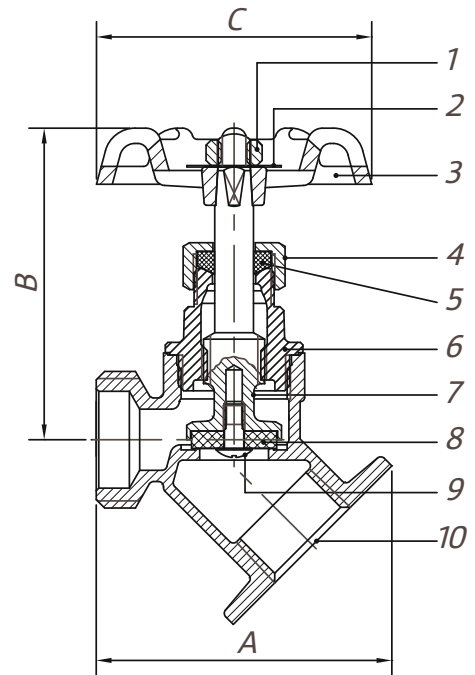


Design Features

- California AB1953 lead-free approved
- Meets federal Safe Water Drinking Water Act, lead-free requirement
- Cast brass
- NPT x 1/2" NHT
- Cast iron handle
- Complies with NSF 61.8 (low lead), premium grade

Parts & Materials

No.	Part	Material
1	Wheel Nut	Steel ASTM AISI-1010
2	Name Plate	Aluminium ASTM B209-1100
3	Hand-Wheel	Cast Iron ASTM A48 Class/NO.35
4	Packing Nut	Brass B16 C36000
5	Gland Packing	PTFE
6	Bonnet	Cast Brass B584-C89550
7	Stem	Cast Brass B584-C89550
8	Seat Packing	NBR
9	Seat Screw	Brass B134 C27000
10	Body	Cast Brass B584-C89550



Dimensions

Size	Part Number	Weight	A	B	C
In		Lb	In	In	In
1/2	0190112GL	0.50	1.10	2.52	2.13
3/4	0190112IL	0.55	1.10	2.52	2.13

About ASC Engineered Solutions

ASC Engineered Solutions is defined by quality—in its products, services and support. With more than 1,400 employees, the company's portfolio of precision-engineered piping support, valves and connections provides products to more than 4,000 customers across industries, such as mechanical, industrial, fire protection, oil and gas, and commercial and residential construction. Its portfolio of leading brands includes ABZ Valve®, AFCON®, Anvil®, Anvil EPS, Anvil Services, Basic-PSA, Beck®, Catawissa, Cooplet®, FlexHead®, FPPI®, Golvlok®, J.B. Smith, Merit®, North Alabama Pipe, Quadrant®, SCI®, Sharpe®, SlideLOK®, SPF® and SprinkFLEX®. With headquarters in Commerce, CA, and Exeter, NH, ASC also has ISO 9001:2015 certified production facilities in PA, TN, IL, TX, AL, LA, KS, and RI.



asc-es.com

Building connections that last™

FC-DS-SERIES-112L-v01 20211206

