

Building connections that last™



Series 166

Brass No Kink Hose Bibb,
MIP Datasheet




Brass No Kink Hose Bibb, MIP Series 166



Design Features

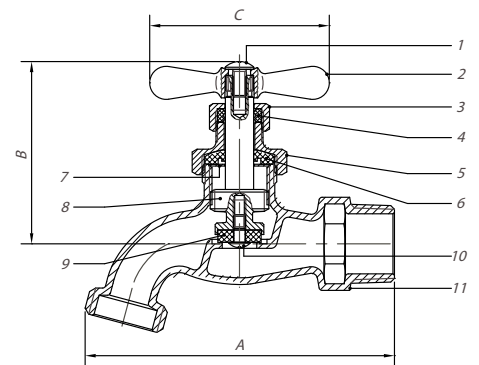
- 125 lb. CWP
- NPT x 3/4" NHT
- Cast brass
- Heavy duty configuration
- Green tee handle
- Certified to NSF/ANSI 61-8
- ISO 9001:2008 manufacturer

Note: Product contains brass which does not meet federal and state requirements for drinking water.

 **WARNING:** Cancer and Reproductive Harm – www.P65Warnings.ca.gov

Parts & Materials

No.	Part	Material
1	Handle Bolt	Hot Rolled SAE 1010R
2	Handle	Zinc
3	Packing Nut	Brass B16 C36000
4	Gland Packing	NBR
5	Bonnet	Brass B16 C36000
6	Packing	NBR
7	Washer	304 Stainless Steel
8	Stem	Brass B584 C85700
9	Seat Packing	NBR
10	Seat Screw	Brass B-124, C37700
11	Body	Brass B584 C85700



Dimensions

Size	Part Number	Weight	A	B	C
In		Lb	In	In	In
1/2	0190166G	0.6	4.10	2.36	2.36
3/4	0190166I	0.6	4.13	2.36	2.36

About ASC Engineered Solutions

ASC Engineered Solutions is defined by quality—in its products, services and support. With more than 1,400 employees, the company's portfolio of precision-engineered piping support, valves and connections provides products to more than 4,000 customers across industries, such as mechanical, industrial, fire protection, oil and gas, and commercial and residential construction. Its portfolio of leading brands includes ABZ Valve®, AFCON®, Anvil®, Anvil EPS, Anvil Services, Basic-PSA, Beck®, Catawissa, Cooplet®, FlexHead®, FPPI®, Gruvlok®, J.B. Smith, Merit®, North Alabama Pipe, Quadrant®, SCI®, Sharpe®, SlideLOK®, SPF® and SprinkFLEX®. With headquarters in Commerce, CA, and Exeter, NH, ASC also has ISO 9001:2015 certified production facilities in PA, TN, IL, TX, AL, LA, KS, and RI.



asc-es.com

Building connections that last™

FC-DS-Series-166-v01 20211208

