

Building connections that last™



Series 167L

Lead-Free Hose End Vacuum
Breaker, FIP Datasheet



Lead-Free Hose End Vacuum Breaker, FIP Series 167L



Design Features

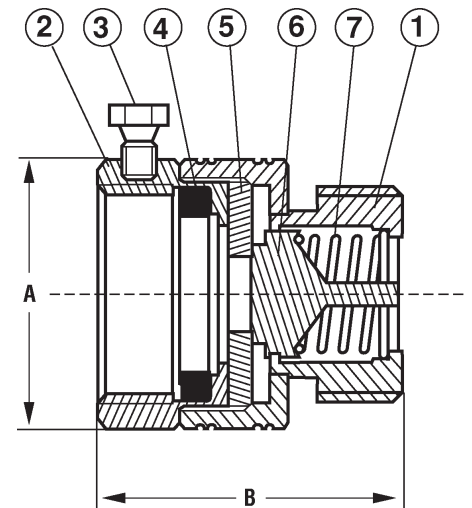
- California AB1953 lead-free approved
- Meets federal Safe Water Drinking Water Act, leadfree requirement
- 125 psi @ 180°F
- Rough brass finish
- Break away screw for tamper proof installation
- Prevents backflow
- UPC/IAPMO listed
- ASSE 1011 listed
- Manufactured in compliance with ASSE 1011-95
- ISO 9001:2008 manufacturer

Parts & Materials

No.	Part	Material
1	¾" MHT Cap	Brass ASTM B584, C89550
2	¾" FHT Base	Brass ASTM B584, C89550
3	Securing Screw	Steel SAE 12L14
4	Flat Washer	Rubber NBR
5	Washer	Rubber NBR
6	Piston	Celcon M90
7	Spring	Stainless Steel AISI 304

Dimensions

Size	Part Number	Weight	A	B
In		Lb	In	In
¾ NHT	0190167L	0.20	1.31	1.36



About ASC Engineered Solutions

ASC Engineered Solutions is defined by quality—in its products, services and support. With more than 1,400 employees, the company's portfolio of precision-engineered piping support, valves and connections provides products to more than 4,000 customers across industries, such as mechanical, industrial, fire protection, oil and gas, and commercial and residential construction. Its portfolio of leading brands includes ABZ Valve®, AFCON®, Anvil®, Anvil EPS, Anvil Services, Basic-PSA, Beck®, Catawissa, Cooplet®, FlexHead®, FPPI®, Gruklok®, J.B. Smith, Merit®, North Alabama Pipe, Quadrant®, SCI®, Sharpe®, SlideLOK®, SPF® and SprinkFLEX®. With headquarters in Commerce, CA, and Exeter, NH, ASC also has ISO 9001:2015 certified production facilities in PA, TN, IL, TX, AL, LA, KS, and RI.



asc-es.com

Building connections that last™

FC-DS-Series-167L-v01 20211213

