

Building connections that last™



# Series 170

Brass Bent Nose Garden Valve,  
FIP Datasheet



# Brass Bent Nose Garden Valve, FIP Series 170



## Design Features

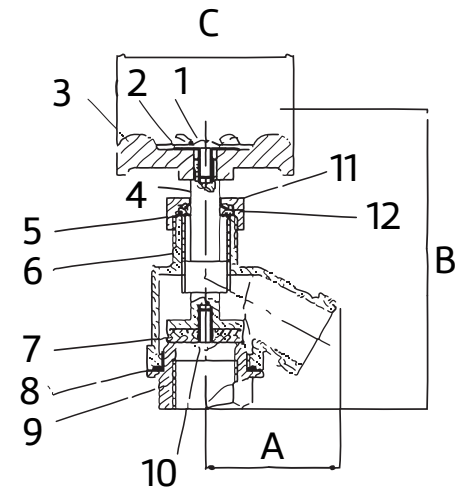
- 125 lb. CWP
- NPT x 3/4" NHT except 0190170GLK
- Cast brass
- Oval handle

**Note:** Product contains brass which does not meet federal and state requirements for drinking water.

**! WARNING:** Cancer and Reproductive Harm – [www.P65Warnings.ca.gov](http://www.P65Warnings.ca.gov)

## Parts & Materials

No.	Part	Material
1	Screw	Brass ASTM B-134, C27000
2	Name Plate	Aluminium ASTM B209-1100
3	Oval Handle	Cast Iron ASTM A48 Class/NO35
4	Stem	Cast Brass ASTM B-584, C85700
5	Washer	Stainless Steel 304
6	Body	Cast Brass ASTM B-584, C85700
7	Bibb Washer	Rubber (NBR)
8	Washer	Plastic (PE)
9	Seat	Cast Brass ASTM B-584, C85700
10	Bibb Seat	Brass ASTM B-134, C27000
11	Packing Nut	Brass ASTM B-124, C377000
12	Packing Washer	Rubber (NBR)



## Dimensions

Size	Part Number	Weight	A	B	C
In		Lb	In	In	In
1/2	0190170G	0.59	1.50	3.90	2.15
3/4	0190170I	0.66	1.50	4.10	2.15
1	0190170K	0.66	1.50	4.10	2.15
1 x 1	0190170GLK*	0.7	1.50	4.00	2.15

### **About ASC Engineered Solutions**

ASC Engineered Solutions is defined by quality—in its products, services and support. With more than 1,400 employees, the company's portfolio of precision-engineered piping support, valves and connections provides products to more than 4,000 customers across industries, such as mechanical, industrial, fire protection, oil and gas, and commercial and residential construction. Its portfolio of leading brands includes ABZ Valve®, AFCON®, Anvil®, Anvil EPS, Anvil Services, Basic-PSA, Beck®, Catawissa, Cooplet®, FlexHead®, FPPI®, Gruklok®, J.B. Smith, Merit®, North Alabama Pipe, Quadrant®, SCI®, Sharpe®, SlideLOK®, SPF® and SprinkFLEX®. With headquarters in Commerce, CA, and Exeter, NH, ASC also has ISO 9001:2015 certified production facilities in PA, TN, IL, TX, AL, LA, KS, and RI.



[asc-es.com](http://asc-es.com)

Building connections that last™

FC-DS-Series-170-v01 20211208

