

Building connections that last™



Series 170L

Lead-Free Brass Bent Nose
Garden Valve, FIP Datasheet



Lead-Free Brass Bent Nose Garden Valve, FIP Series 170L

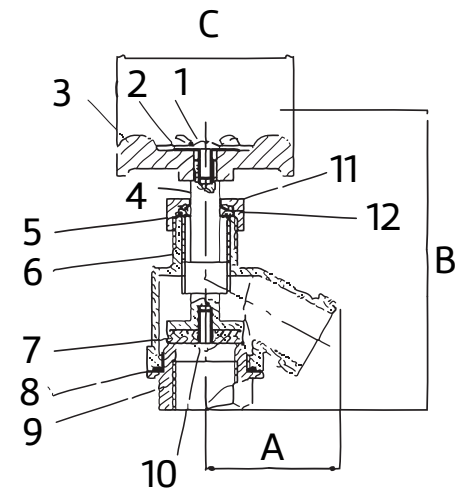


Design Features

- California AB1953 lead-free approved
- Meets federal Safe Water Drinking Water Act, lead-free requirement
- 125 lb. CWP
- NPT x 3/4" NHT
- Cast brass
- Oval handle

Parts & Materials

| No. | Part | Material |
|-----|----------------|-------------------------------|
| 1 | Screw | Brass ASTM B-134, C27000 |
| 2 | Name Plate | Aluminium ASTM B209-1100 |
| 3 | Oval Handle | Cast Iron ASTM A48 Class/NO35 |
| 4 | Stem | Cast Brass ASTM B-584, C85700 |
| 5 | Washer | Stainless Steel 304 |
| 6 | Body | Cast Brass ASTM B-584, C85900 |
| 7 | Bibb Washer | Rubber (NBR) |
| 8 | Washer | Plastic (PE) |
| 9 | Seat | Cast Brass ASTM B-584, C85900 |
| 10 | Bibb Seat | Brass ASTM B-134, C27000 |
| 11 | Packing Nut | Brass ASTM B-124, C377000 |
| 12 | Packing Washer | Rubber (NBR) |



Dimensions

| Size | Part Number | Weight | A | B | C |
|------|-------------|--------|------|------|------|
| In | | Lb | In | In | In |
| 3/4 | 0190170IL | 0.66 | 1.50 | 4.10 | 2.15 |
| 1 | 0190170KL | 0.66 | 1.50 | 4.10 | 2.15 |

About ASC Engineered Solutions

ASC Engineered Solutions is defined by quality—in its products, services and support. With more than 1,400 employees, the company's portfolio of precision-engineered piping support, valves and connections provides products to more than 4,000 customers across industries, such as mechanical, industrial, fire protection, oil and gas, and commercial and residential construction. Its portfolio of leading brands includes ABZ Valve®, AFCON®, Anvil®, Anvil EPS, Anvil Services, Basic-PSA, Beck®, Catawissa, Cooplet®, FlexHead®, FPPI®, Gruklok®, J.B. Smith, Merit®, North Alabama Pipe, Quadrant®, SCI®, Sharpe®, SlideLOK®, SPF® and SprinkFLEX®. With headquarters in Commerce, CA, and Exeter, NH, ASC also has ISO 9001:2015 certified production facilities in PA, TN, IL, TX, AL, LA, KS, and RI.



asc-es.com

Building connections that last™

FC-DS-Series-170L-v01 20211208

