

Building connections that last™



Series 200

Straight Gas Ball Valve,
FIP x FIP Datasheet



Straight Gas Ball Valve, FIP x FIP Series 200



Design Features

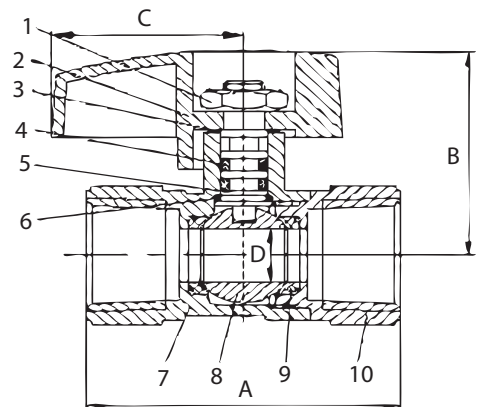
- Two piece
- Forged brass body
- CSA 3-88 5 psig, Z21.15a ½ psig
- ASME B16.33
- Fed. spec. WW-V-35, Type II Class A Style 3
- ISO 9001:2008 Manufacturer

Note: Product contains brass which does not meet federal and state requirements for drinking water.

WARNING: Cancer and Reproductive Harm – www.P65Warnings.ca.gov

Parts & Materials

No.	Part	Material
1	Nut	Forged Steel ASTM-AISI-1010
2	Handle	Aluminium, Red Enamel
3	Washer	PTFE
4	O-Ring	NBR
5	Stem	Forged Brass ASTM B-124, C37700
6	Washer	PTFE
7	Body	Forged Brass ASTM B-124, C37700
8	Ball	Chrome Plated, Brass ASTM B-16, C37700
9	Seat Rings	PTFE
10	Body End Cap	Forged Brass ASTM B-124
8	Handle	410 Stainless Steel
9	Fixing Screw	Alloy Steel
10	Disc	316 Stainless Steel



Dimensions

Size	Part Number	Weight	A	B	C	D
In		Lb	In	In	In	In
3/8	0190200E	0.3	1.77	1.48	1.26	0.39
1/2	0190200G	0.3	2.13	1.50	1.26	0.39
3/4	0190200I	0.5	2.44	1.63	1.26	0.55
1	0190200K	0.9	3.13	1.86	1.26	0.94

About ASC Engineered Solutions

ASC Engineered Solutions is defined by quality—in its products, services and support. With more than 1,400 employees, the company's portfolio of precision-engineered piping support, valves and connections provides products to more than 4,000 customers across industries, such as mechanical, industrial, fire protection, oil and gas, and commercial and residential construction. Its portfolio of leading brands includes ABZ Valve®, AFCON®, Anvil®, Anvil EPS, Anvil Services, Basic-PSA, Beck®, Catawissa, Cooplet®, FlexHead®, FPPI®, Golvlok®, J.B. Smith, Merit®, North Alabama Pipe, Quadrant®, SCI®, Sharpe®, SlideLOK®, SPF® and SprinkFLEX®. With headquarters in Commerce, CA, and Exeter, NH, ASC also has ISO 9001:2015 certified production facilities in PA, TN, IL, TX, AL, LA, KS, and RI.



asc-es.com

Building connections that last™

FC-DS-Series-200-v01 20211209

