

Building connections that last™



Series 230 & Series 231

Brass Gas Ball Valve, Flare x FIP Datasheet



Brass Gas Ball Valve, Flare x FIP Series 230



Design Features

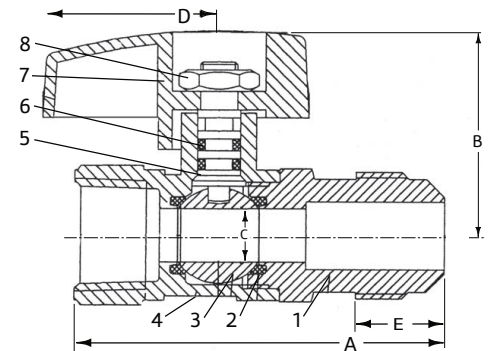
- Two piece
- Forged brass body
- CSA 3-88 5 psig, Z21.15a ½ psig
- ASME B16.33
- Fed. spec. WW-V-35, Type II Class A Style
- ISO 9001:2008 Manufacturer

Note: Product contains brass which does not meet federal and state requirements for drinking water.

WARNING: Cancer and Reproductive Harm – www.P65Warnings.ca.gov

Parts & Materials

No.	Part	Material
1	Body	Brass ASTM B124 86C 377000
2	Washer	NBR
3	Ball	Brass
4	Washer	Fasit 205
5	Bonnet	Brass ASTM B124 86C 377000
6	Washer	Brass ASTM B124 86C 377000
7	O-Ring	NBR
8	Wire	Bronze
9	Handle	Aluminium
10	Screw	C18 Boro



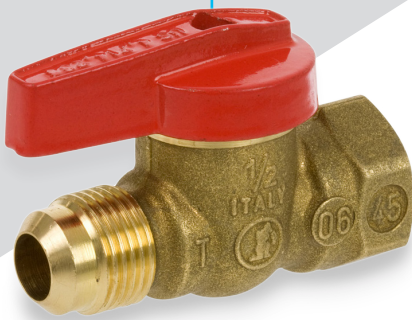
Dimensions

Size	Part Number	Weight	A	B	C	D	E
In		Lb	In	In	In	In	In
½ x ¾	0190230GE	0.4	2.48	1.50	0.39	1.26	0.53
½ x ½	0190230GG	0.4	2.68	1.50	0.39	1.26	0.70
½ x ⅝	0190230GH	0.4	2.80	1.60	0.55	1.26	0.74
¾ x ⅝*	0190230IH	0.5	2.99	1.60	0.55	1.26	0.79



SCI
An ASC Engineered Solution

Brass Gas Ball Valve, Flare x FIP Series 231



Design Features

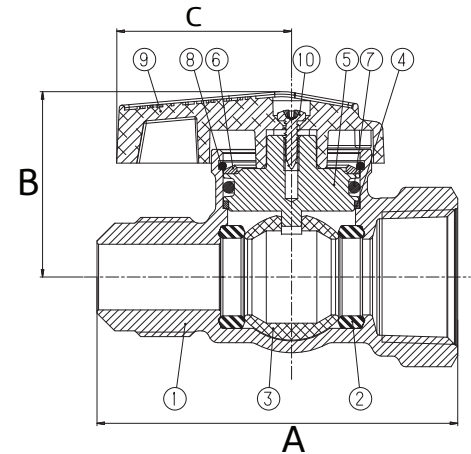
- 200 psi WOG
- One piece
- Forged brass body
- Blow-out proof stem
- Fed. spec. WW-V-35, Type II Class A Style 3
- CSA approved (ANSI z21.15a for 1/2 psig)
- CSA approved (3-88 spec 5 psig residential gas)
- ISO 9001:2008 manufacturer

Note: Product contains brass which does not meet federal and state requirements for drinking water.

! WARNING: Cancer and Reproductive Harm – www.P65Warnings.ca.gov

Parts & Materials

No.	Part	Material
1	Body	Brass ASTM B124 86C 377000
2	Washer	NBR
3	Ball	Brass ASTM B124 86C 377000
4	Washer	Synthetic Fiber
5	Bonnet	Brass ASTM B124 86C 377000
6	Washer	Brass ASTM B124 86C 377000
7	O-Ring	NBR
8	Wire	Bronze
9	Handle	Aluminium
10	Screw	Zinc Plated Steel



Dimensions

Size	Part Number	Weight	A	B	C
In		Lb	In	In	In
1/2 x 3/8	0190231GE	0.3	2.34	1.29	1.39
1/2 x 1/2	0190231GG	0.4	2.44	1.29	1.39
3/4 x 5/8	0190231IH	0.6	2.82	1.44	1.36

About ASC Engineered Solutions

ASC Engineered Solutions is defined by quality—in its products, services and support. With more than 1,400 employees, the company's portfolio of precision-engineered piping support, valves and connections provides products to more than 4,000 customers across industries, such as mechanical, industrial, fire protection, oil and gas, and commercial and residential construction. Its portfolio of leading brands includes ABZ Valve®, AFCON®, Anvil®, Anvil EPS, Anvil Services, Basic-PSA, Beck®, Catawissa, Cooplet®, FlexHead®, FPPI®, Gruklok®, J.B. Smith, Merit®, North Alabama Pipe, Quadrant®, SCI®, Sharpe®, SlideLOK®, SPF® and SprinkFLEX®. With headquarters in Commerce, CA, and Exeter, NH, ASC also has ISO 9001:2015 certified production facilities in PA, TN, IL, TX, AL, LA, KS, and RI.



asc-es.com

Building connections that last™

FC-DS-SERIES-230-231-v01 20211213

