

Building connections that last™



Series 40276

Globe Valve Datasheet



Globe Valve Series 40276

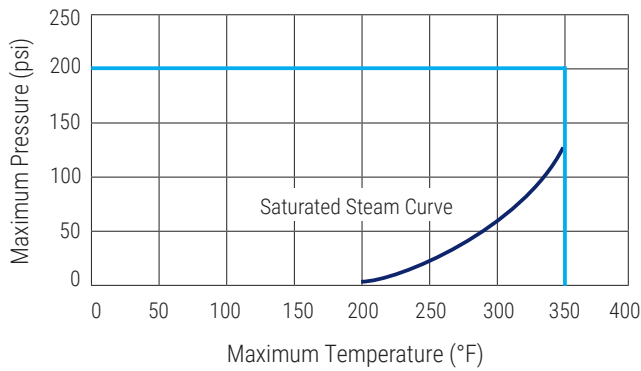


Design Features

- 200 CWP
- 316 stainless steel
- Threaded-in bonnet
- Threaded or socket weld ends
- Rising stem
- Hydrostatic shell test at 300 psi

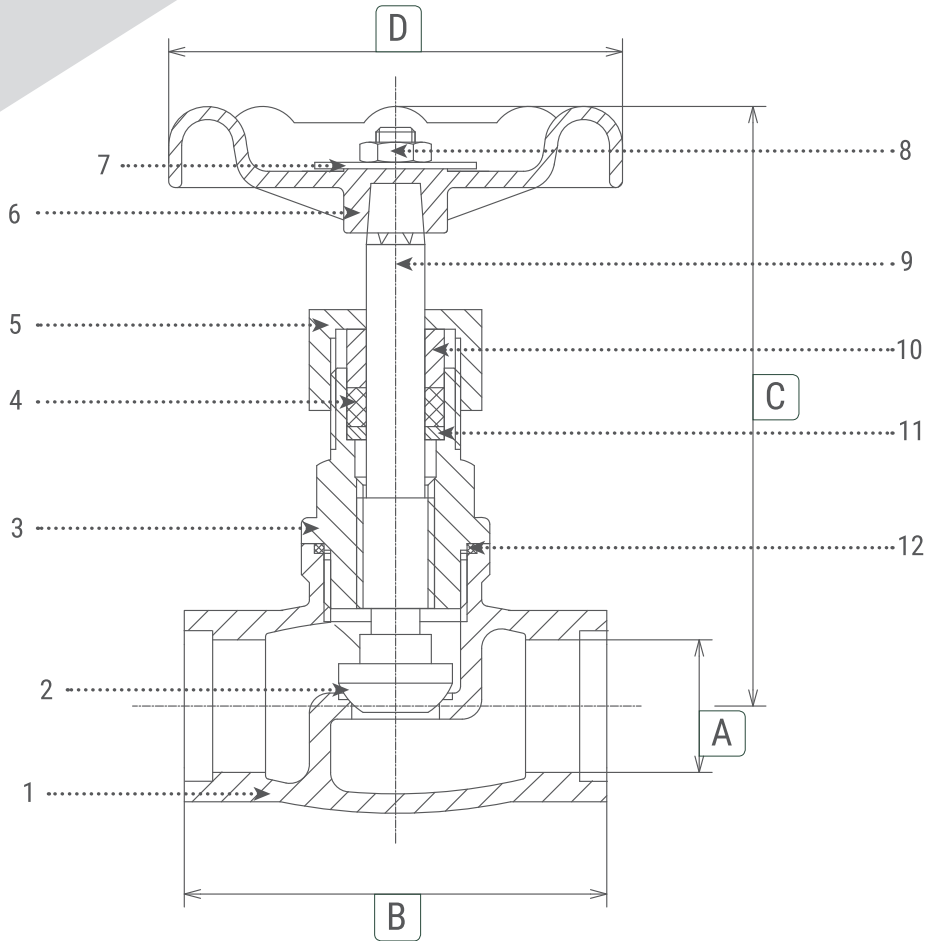
Technical Information

Pressure - Temperature Ratings



asc-es.com

Building connections that last™



Parts & Materials

No.	Part Name	Qty.	Material
1	Body	1	316 Stainless Steel
2	Core	1	316 Stainless Steel
3	Bonnet	1	316 Stainless Steel
4	Packing	1	PTFE
5	Gland Nut	1	304 Stainless Steel
6	Hand Wheel	1	Aluminum
7	Name Plate	1	Aluminum
8	Nut	1	304 Stainless Steel
9	Stem	1	316 Stainless Steel
10	Gland	1	304 Stainless Steel
11	Washer	1	316 Stainless Steel
12	Seal	1	PTFE

Dimensions (Inches)

Size	A	B	C	D
½	0.66	2.64	3.55	2.73
¾	0.86	2.93	3.67	2.73
1	1.13	3.61	4.10	3.12
1-¼	1.44	4.13	4.49	3.12
1-½	1.68	4.68	5.34	3.90
2	2.15	5.50	5.77	3.90

Note:

Due to continuous development of our product range, we reserve the right to change the dimensions and information for this product as required.

Globe Valve
Series 40276



How to order Series 40276

1 - 40276 - TE = 1 - 40276 - TE
 Size Series Ends Size Series Ends

Size	Series	Ends	
1/2	40276	TE	Threaded
3/4		SW	Socket Weld
1			
1-1/4			
1-1/2			
2			

About ASC Engineered Solutions

ASC Engineered Solutions is defined by quality—in its products, services and support. With more than 1,400 employees, the company's portfolio of precision-engineered piping support, valves and connections provides products to more than 4,000 customers across industries, such as mechanical, industrial, fire protection, oil and gas, and commercial and residential construction. Its portfolio of leading brands includes ABZ Valve®, AFCON®, Anvil®, Anvil EPS, Anvil Services, Basic-PSA, Beck®, Catawissa, Cooplet®, FlexHead®, FPPI®, Gruklok®, J.B. Smith, Merit®, North Alabama Pipe, Quadrant®, SCI®, Sharpe®, SlideLOK®, SPF® and SprinkFLEX®. With headquarters in Commerce, CA, and Exeter, NH, ASC also has ISO 9001:2015 certified production facilities in PA, TN, IL, TX, AL, LA, KS, and RI.



asc-es.com

Building connections that last™

FC-DS-SERIES-40276-v01 20210819

