

Building connections that last™



Series 6122

CPVC Ball Valve Datasheet



CPVC Ball Valve Series 6122



Design Features

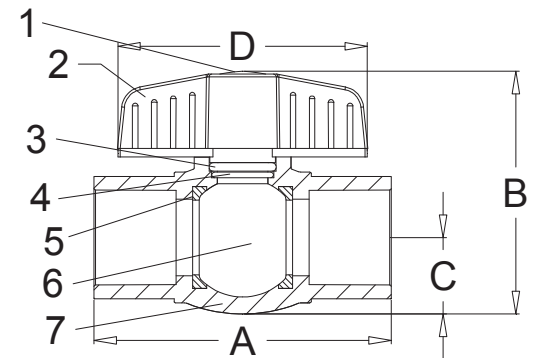
- NSF certified to NSF/ANSI 14
- NSF certified to NSF/ANSI 61 Annex G Lead-Free
- CTS
- 150 psi @ 180°F
- Produced using virgin CPVC resins
- Socket ends
- ASTM B-88

Note: Product contains brass which does not meet federal and state requirements for drinking water.

WARNING: Cancer and Reproductive Harm - www.P65Warnings.ca.gov

Parts & Materials

No.	Part	Material
1	Cap	ABS
2	Handle	ABS
3	O-Ring	EDPM
4	O-Ring	EDPM
5	Seat	PTFE
6	Ball	CPVC
7	Body	CPVC



Dimensions

Size	Part Number	Weight	A	B	C	D
In		Lb	In	In	In	
½	02936122G	0.1	3.16	2.46	0.625	2.74
¾	02936122I	0.2	3.61	2.98	0.875	3.01
1	02936122K	0.4	4.19	3.39	1.125	3.53

About ASC Engineered Solutions

ASC Engineered Solutions is defined by quality—in its products, services and support. With more than 1,400 employees, the company's portfolio of precision-engineered piping support, valves and connections provides products to more than 4,000 customers across industries, such as mechanical, industrial, fire protection, oil and gas, and commercial and residential construction. Its portfolio of leading brands includes ABZ Valve®, AFCON®, Anvil®, Anvil EPS, Anvil Services, Basic-PSA, Beck®, Catawissa, Cooplet®, FlexHead®, FPPI®, Golvlok®, J.B. Smith, Merit®, North Alabama Pipe, Quadrant®, SCI®, Sharpe®, SlideLOK®, SPF® and SprinkFLEX®. With headquarters in Commerce, CA, and Exeter, NH, ASC also has ISO 9001:2015 certified production facilities in PA, TN, IL, TX, AL, LA, KS, and RI.



asc-es.com

Building connections that last™

FC-DS-SERIES-6122-v01 20211214

