

Celcon Boiler Drain, MIP Series 7101

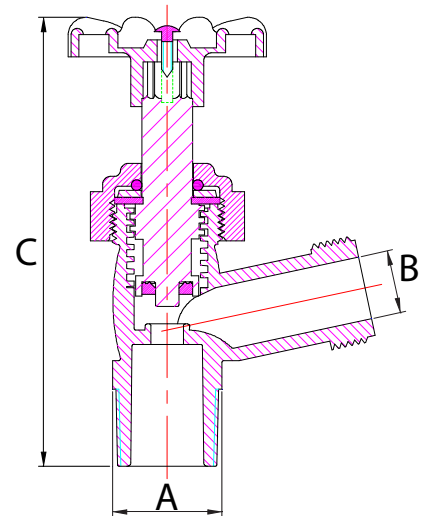


Design Features

- Max 150 psi @ -20° F to +180° F
- MIP threaded x MHT
- MIP x 3/4" NHT

Dimensions

Size	Part Number	Weight	A	B	C
In		Lb	In	In	In
1/2	0227101G	0.2	1.20	0.61	4.25
3/4	0227101I	0.2	1.20	0.61	4.25



PROJECT INFORMATION	APPROVAL STAMP
Project:	Approved
Address:	Approved as noted
Contractor:	Not approved
Engineer:	Remarks:
Submittal Date:	
Notes 1:	
Notes 2:	