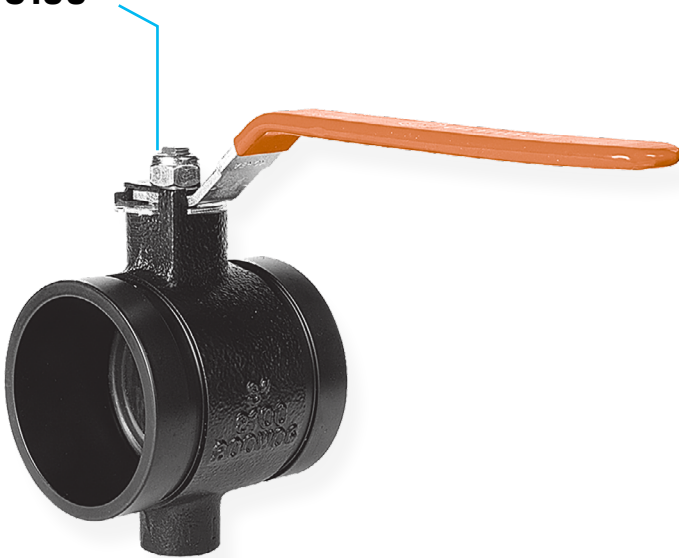


Low Profile Butterfly Valve Series 8100



Material Specifications

Body

Ductile iron conforming to ASTM A536

Body Coating

Black Epoxy-Coated

Disc

Ductile iron conforming to ASTM A 536

Disc Seal:

- Grade "E" EPDM encapsulated rubber -20°F to 250°F (-29°C to 121°C) with intermittent service at 250°F (121°C) and continuous service at 225°F (107°C)
- Optional: Grade "T" Nitrile encapsulated rubber -20°F to 180°F (-29°C to 82°C)

Stem

Two-piece stainless steel, splines conforming to AISI 420

Stem Seal

EDPM O-rings, upper and lower stem

Handle

Zinc-plated carbon steel

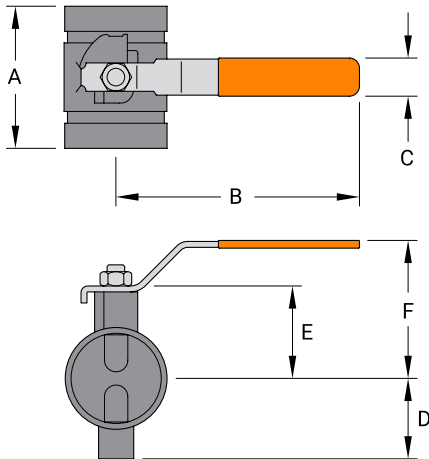
The Series 8100 Low Profile Butterfly Valve has a rated working pressure of 300 psi (20.7 bar) and provides efficient control of fluid in piping systems. Flow can be from either direction and the valve may be positioned in any orientation. The ductile iron body is epoxy-coated to resist atmospheric corrosion. The disc is EPDM encapsulated ductile iron compatible with a variety of chemicals and temperature ranges.

Maximum Working Pressure: 300 psi (20.7 bar)



PROJECT INFORMATION	APPROVAL STAMP
Project:	Approved
Address:	Approved as noted
Contractor:	Not approved
Engineer:	Remarks:
Submittal Date:	
Notes 1:	
Notes 2:	

Low Profile Butterfly Valve Series 8100



Valve Size	O.D.	Dimensions						Approx. Wt. Ea.
		A	B	C	D	E	F	
In./mm	In./mm	In./mm	In./mm	In./mm	In./mm	In./mm	In./mm	Lbs./Kg
2	2.375	3.4	6.0	1.0	1.8	2.3	3.2	5.0
50	60.3	87.4	154.4	25.4	46.0	59.0	81.0	2.3
2½	2.875	3.8	6.0	1.0	2.1	2.4	3.6	7.0
65	73.0	96.8	154.4	25.4	52.3	92.9	91.9	3.2
3	3.5	3.8	8.4	1.0	2.6	2.7	4.3	8.0
80	88.9	96.8	214.4	25.4	66.5	98.1	108.0	3.6
4	4.5	4.6	8.4	1.0	3.3	3.3	4.9	12.0
100	114.3	117.9	214.4	25.4	84.1	84.1	125.5	5.4
5	5.563	5.2	12.3	1.3	3.9	3.9	5.8	-
125	141.3	132.4	311.2	31.8	99.0	99.0	147.6	-
6	6.625	5.3	12.3	1.3	4.4	4.4	7.0	19.0
150	168.3	133.4	311.2	31.8	113.3	113.3	177.8	8.6



asc-es.com

Building connections that last™