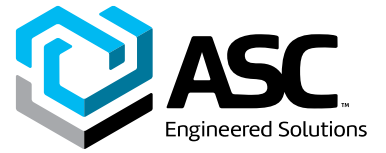


Building connections that last™



# Series 8135L

Lead-Free Brass Ball Valves,  
Threaded Datasheet



# Lead-Free Brass Ball Valve, Threaded Series 8135L

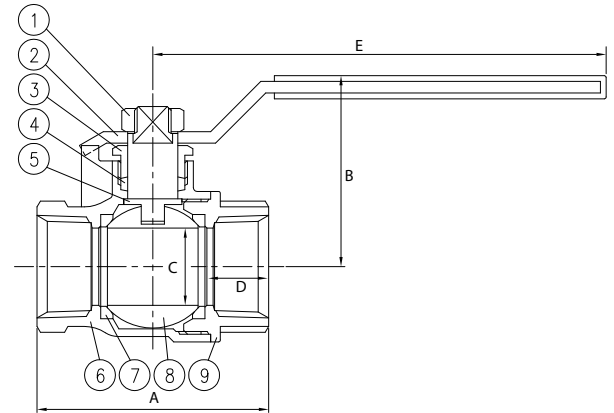


## Design Features

- Meets Federal Safe Water Drinking Water Act, lead-free requirement
- Certified to NSF/ANSI 372
- 400 lb. CWP / 125 lb. WSP
- Standard port
- Forged brass body
- Blow-out proof stem

## Parts & Materials

| No. | Part         | Material                               |
|-----|--------------|--|
| 1   | Nut          | Forged Steel ASTM A283 (Zinc Plated)   |
| 2   | Handle       | Forged Steel ASTM A283 (Zinc Plated)   |
| 3   | Packing Nut  | Brass ASTM B-36, C28000                |
| 4   | Stem Packing | PTFE                                   |
| 5   | Stem         | Brass ASTM B-36, C28000                |
| 6   | Body         | Forged Brass ASTM B-36, C28000         |
| 7   | Ball Seat    | PTFE                                   |
| 8   | Ball         | Chrome Plated, Brass ASTM B-36, C28000 |
| 9   | Body End Cap | Brass ASTM B-36, C28000                |



## Dimensions

| Size | Product Number | 10-Digit   | Weight | A    | B    | C (Port) | D    | E    |
|------|----------------|------------|--------|------|------|----------|------|------|
| In   |                |            | Lb     | In   | In   | In       | In   | In   |
| ¼    | 01728135CL     | 4347000710 | 0.3    | 1.73 | 1.47 | 0.37     | 0.45 | 3.43 |
| ⅜    | 01728135EL     | 4347000730 | 0.3    | 1.73 | 1.47 | 0.47     | 0.45 | 3.43 |
| ½    | 01728135GL     | 4347000750 | 0.4    | 1.91 | 1.61 | 0.47     | 0.49 | 3.43 |
| ¾    | 01728135IL     | 4347000770 | 0.5    | 2.07 | 1.73 | 0.59     | 0.51 | 3.43 |
| 1    | 01728135KL     | 4347000790 | 0.9    | 2.64 | 2.24 | 0.79     | 0.69 | 4.65 |
| 1-¼  | 01728135LL     | 4347000810 | 1.1    | 2.97 | 2.38 | 0.98     | 0.75 | 4.65 |
| 1-½  | 01728135ML     | 4347000830 | 1.7    | 3.29 | 2.80 | 1.26     | 0.75 | 5.47 |
| 2    | 01728135NL     | 4347000850 | 2.4    | 3.68 | 2.99 | 1.57     | 0.75 | 5.47 |

Responsibility for proper selection, use and maintenance of any product remains solely with the purchaser and end user. We reserve the right to modify or improve the designs or specifications of any product at any time without notice.

### **About ASC Engineered Solutions**

ASC Engineered Solutions is defined by quality—in its products, services and support. With more than 1,400 employees, the company's portfolio of precision-engineered piping support, valves and connections provides products to more than 4,000 customers across industries, such as mechanical, industrial, fire protection, oil and gas, and commercial and residential construction. Its portfolio of leading brands includes ABZ Valve®, AFCON®, Anvil®, Anvil EPS, Anvil Services, Basic-PSA, Beck®, Catawissa, Cooplet®, FlexHead®, FPPI®, Gruvlok®, J.B. Smith, Merit®, North Alabama Pipe, Quadrant®, SCI®, Sharpe®, SlideLOK®, SPF® and SprinkFLEX®. With headquarters in Commerce, CA, and Exeter, NH, ASC also has ISO 9001:2015 certified production facilities in PA, TN, IL, TX, AL, LA, KS, and RI.



[asc-es.com](http://asc-es.com)

Building connections that last™

